



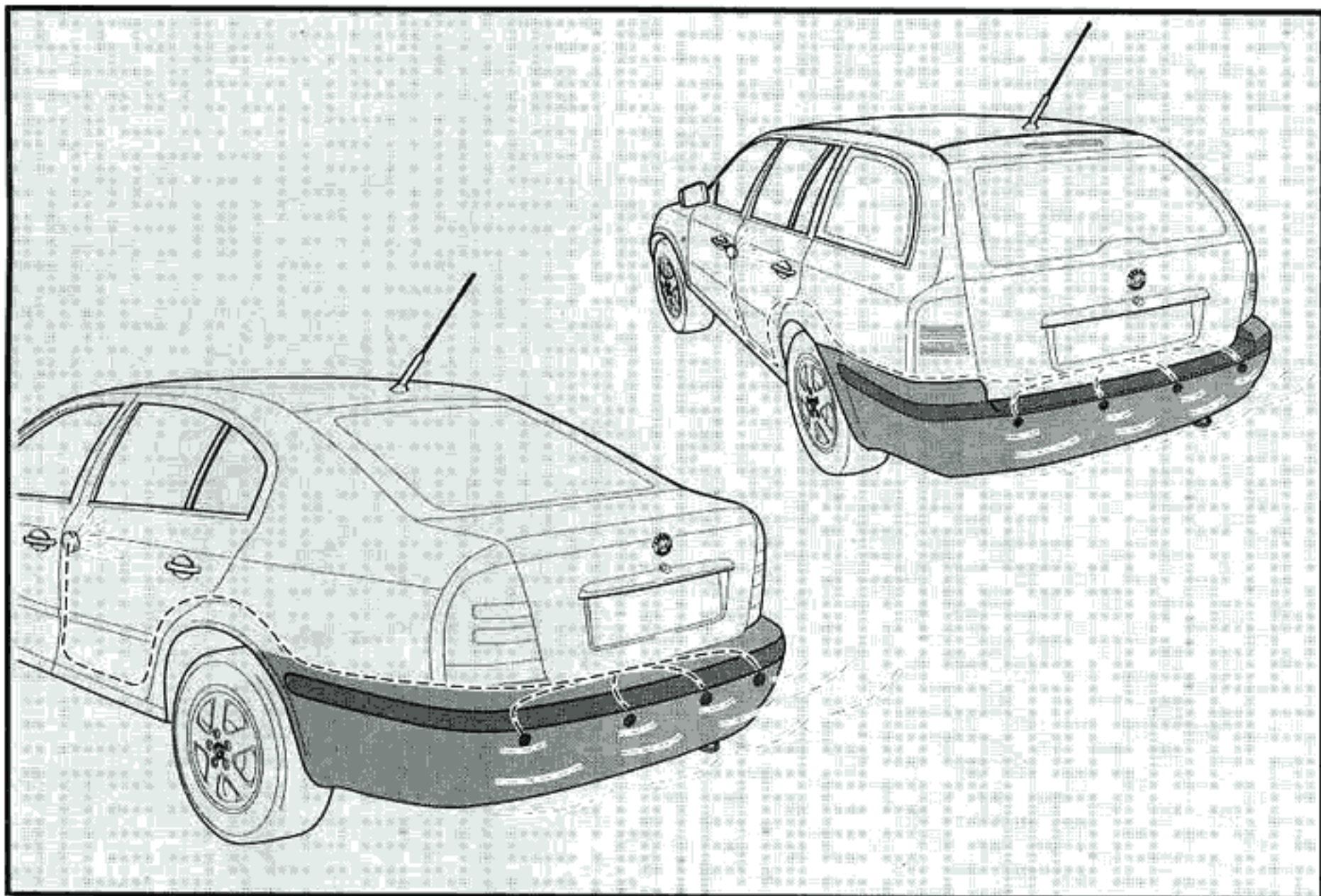
Montážní návod
Montageanleitung
Fitting instructions
Instrucciones de montaje
Instructions de montage
Istruzioni di montaggio
Monteringsanvisning
Montageaanwijzing
Instrukcja montażowa
Montážny návod

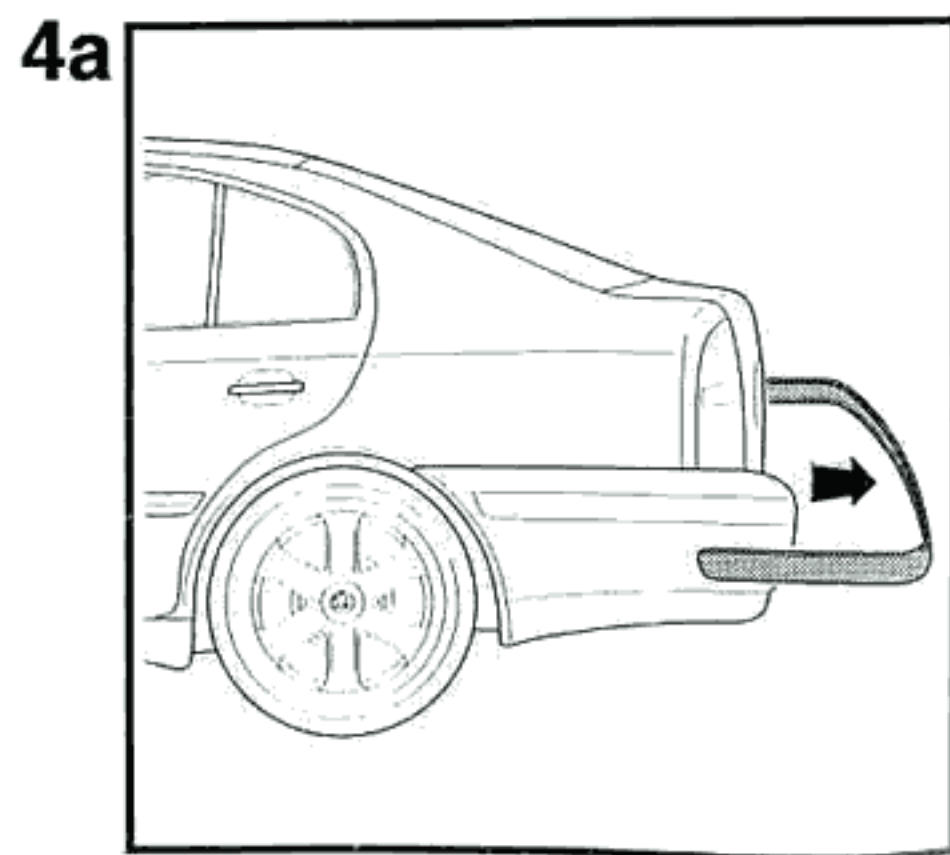
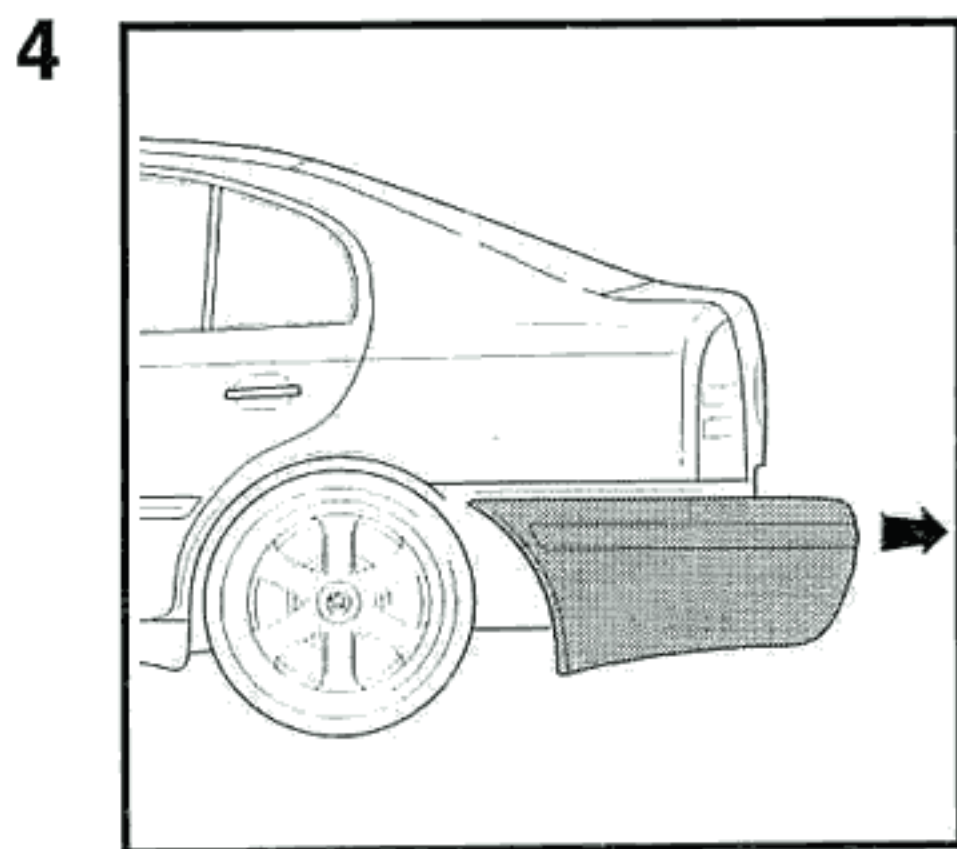
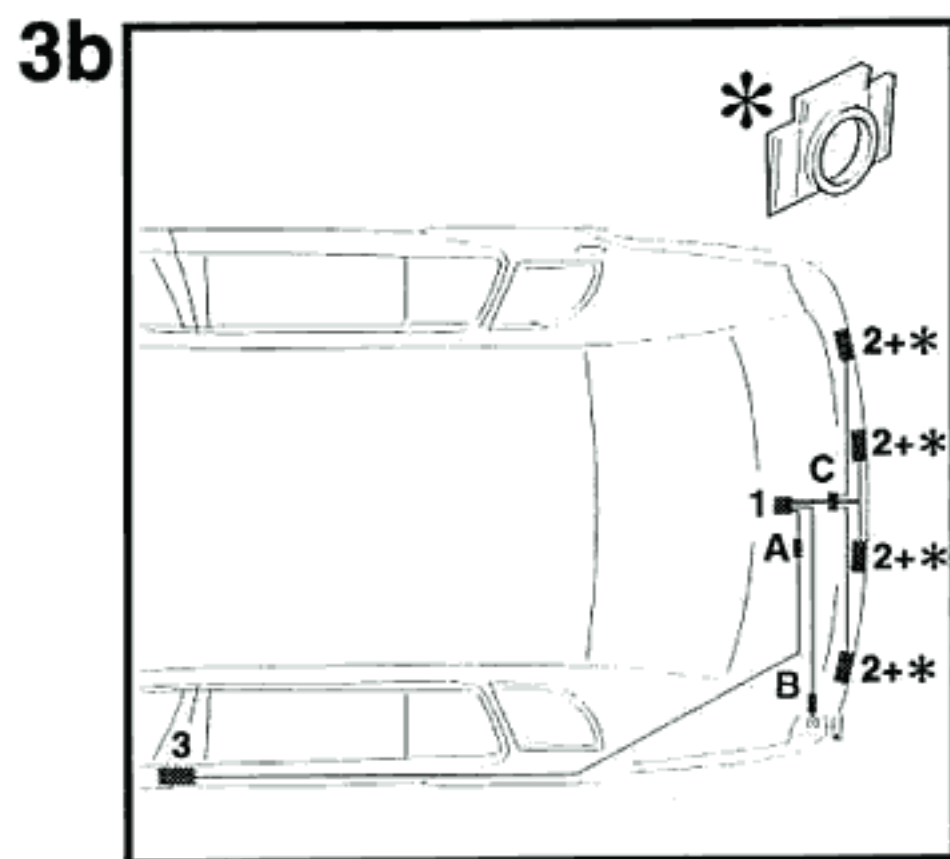
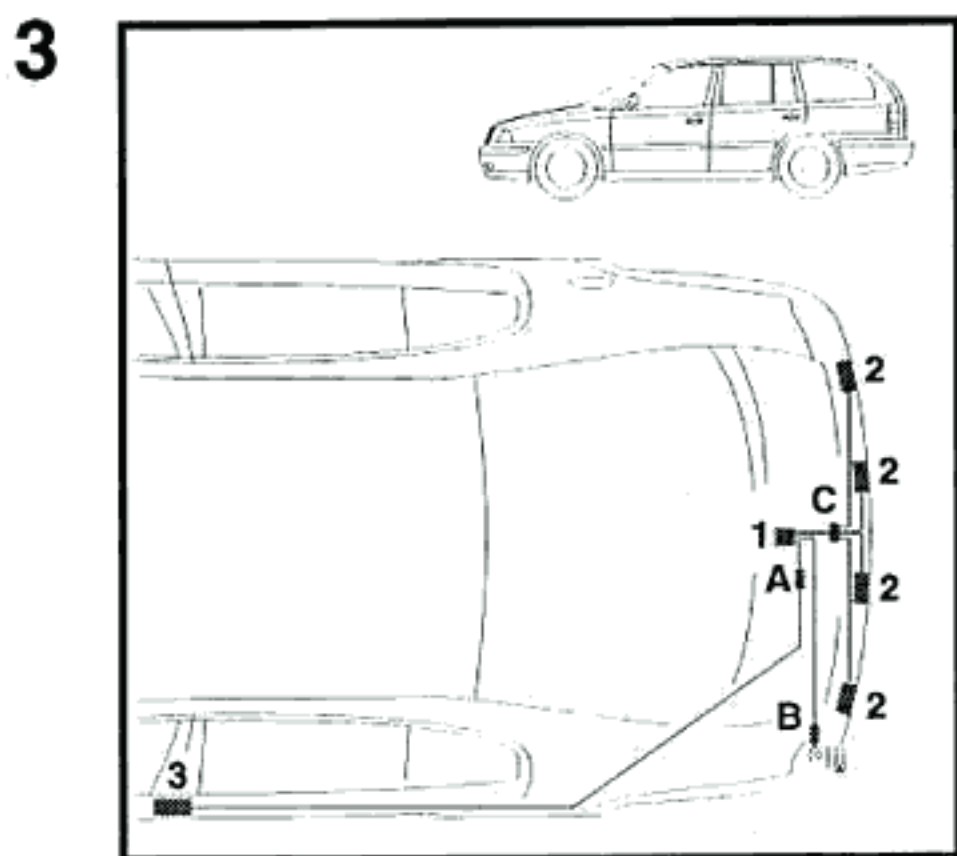
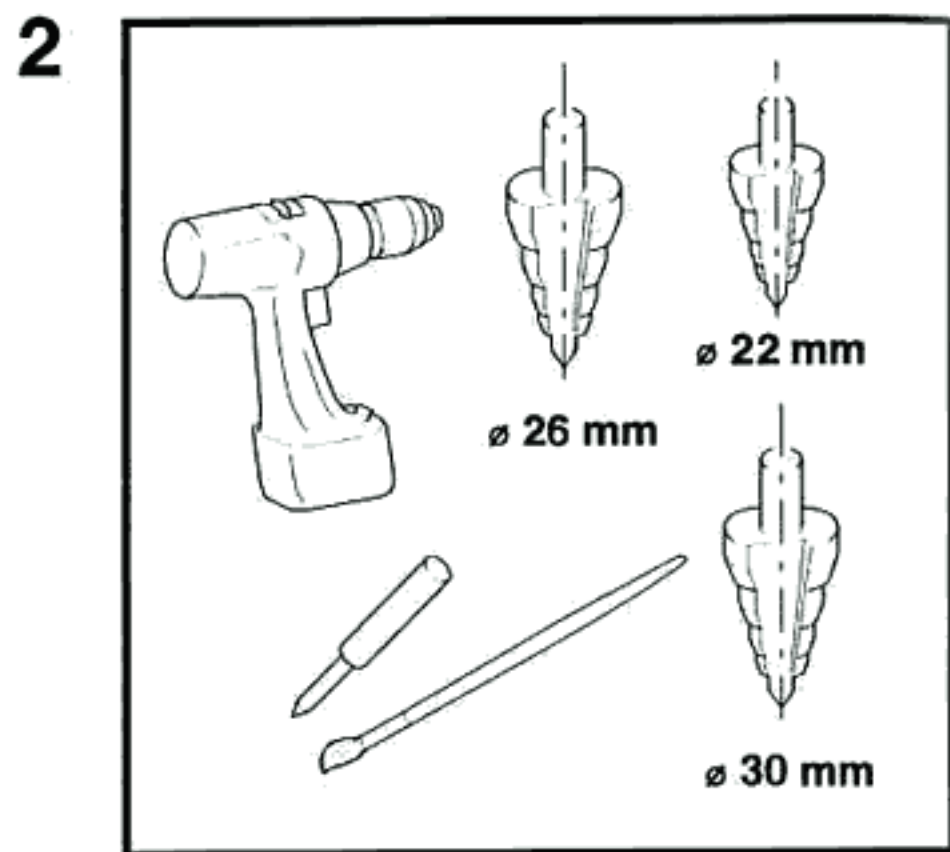
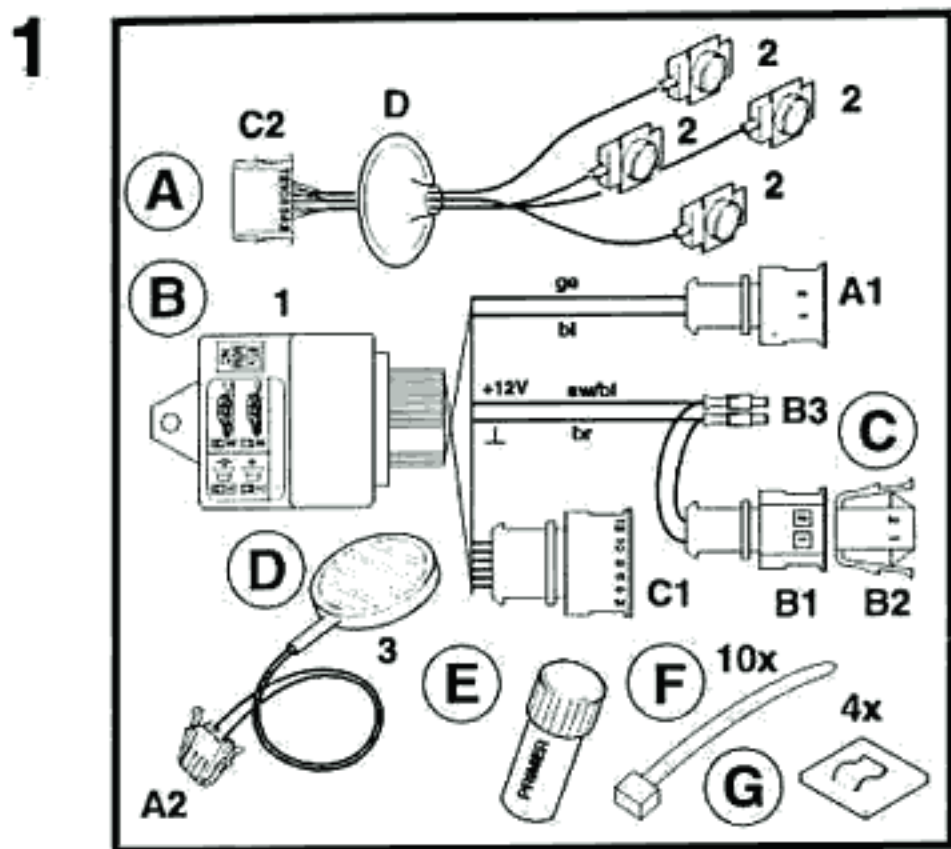
BEA 300 001

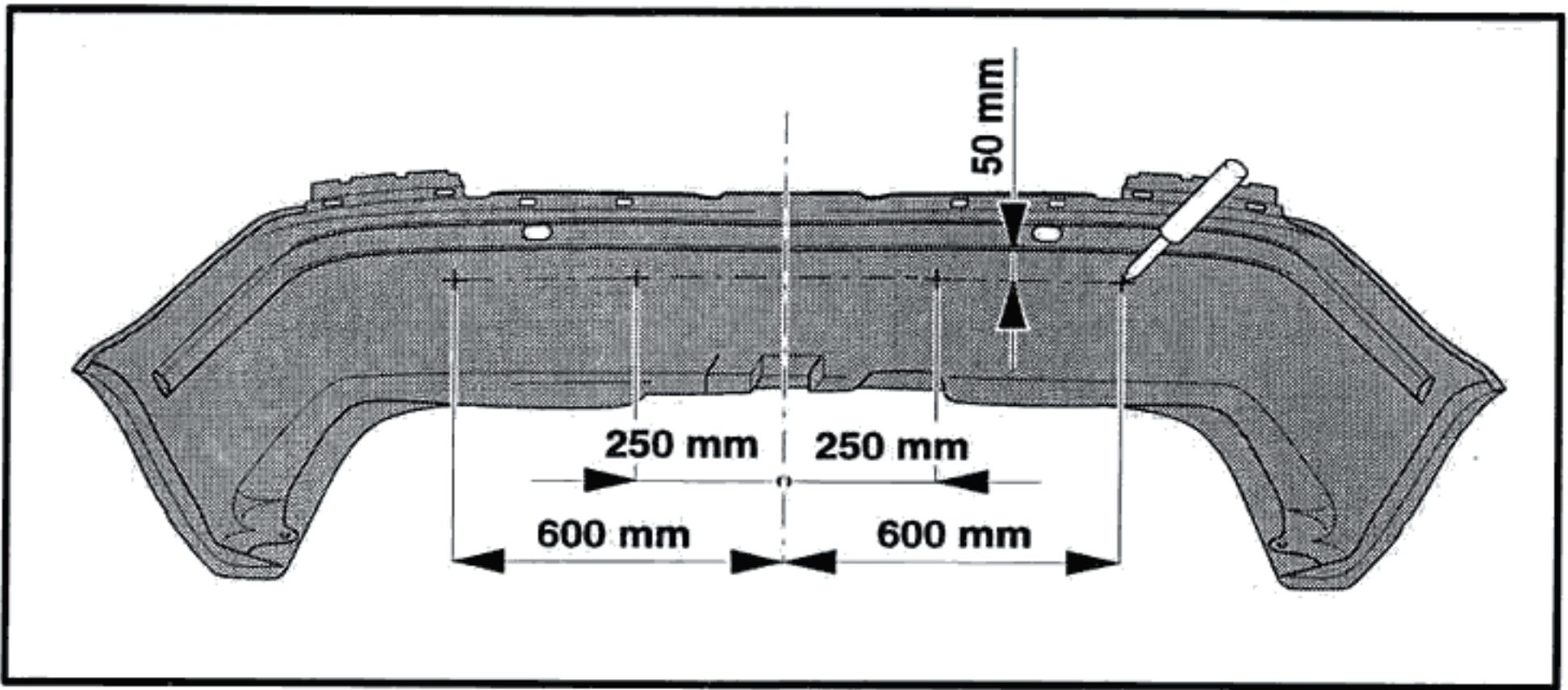
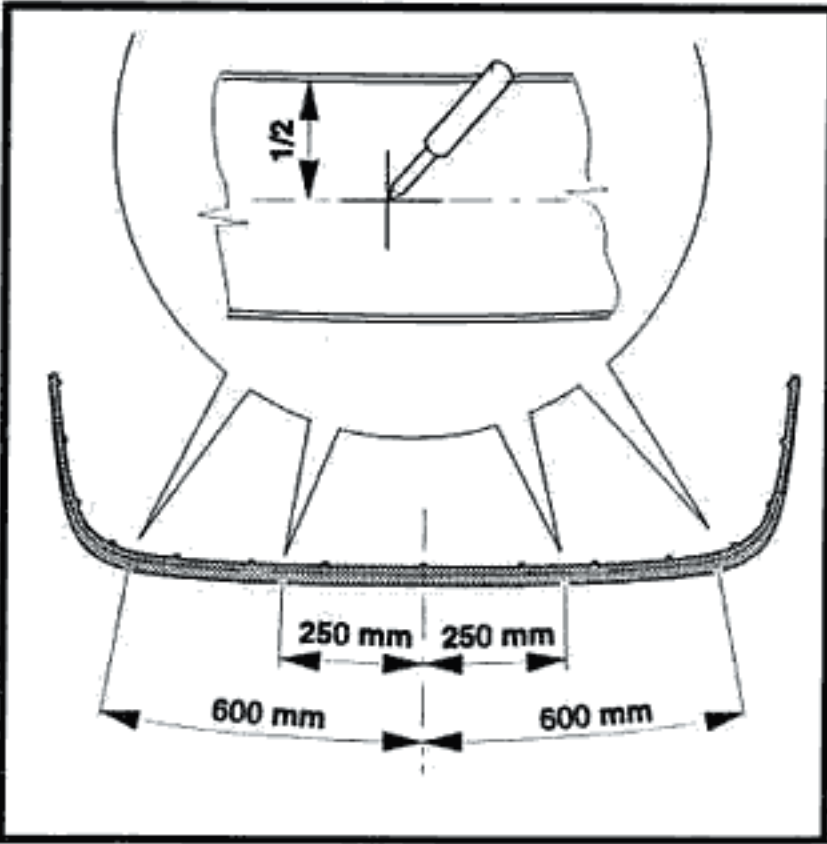
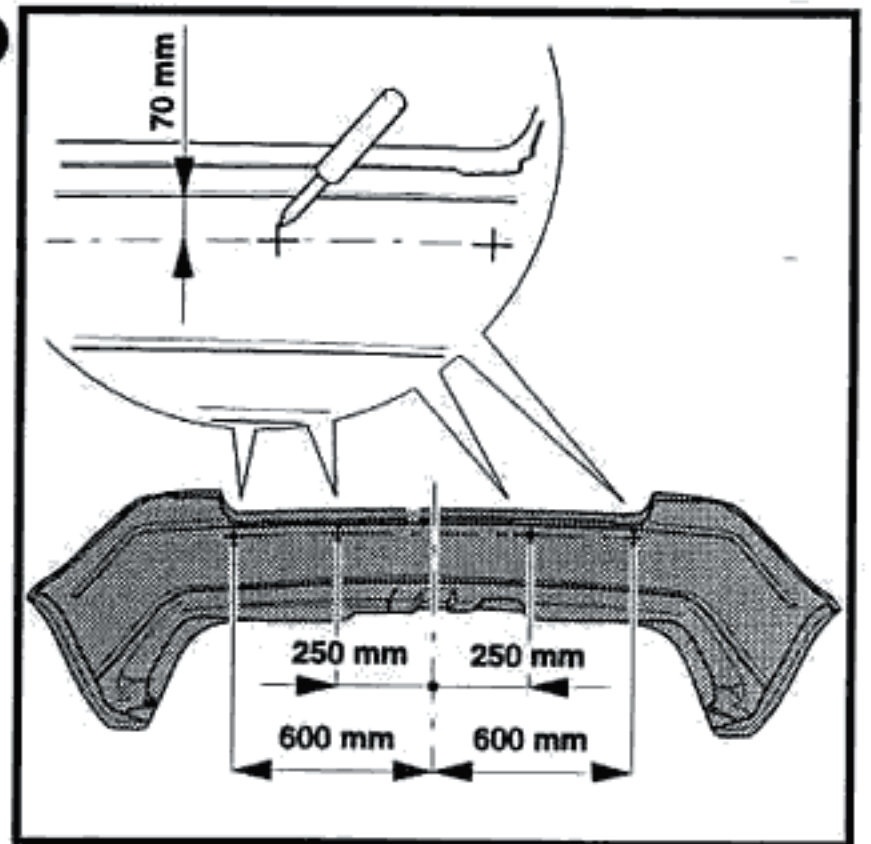
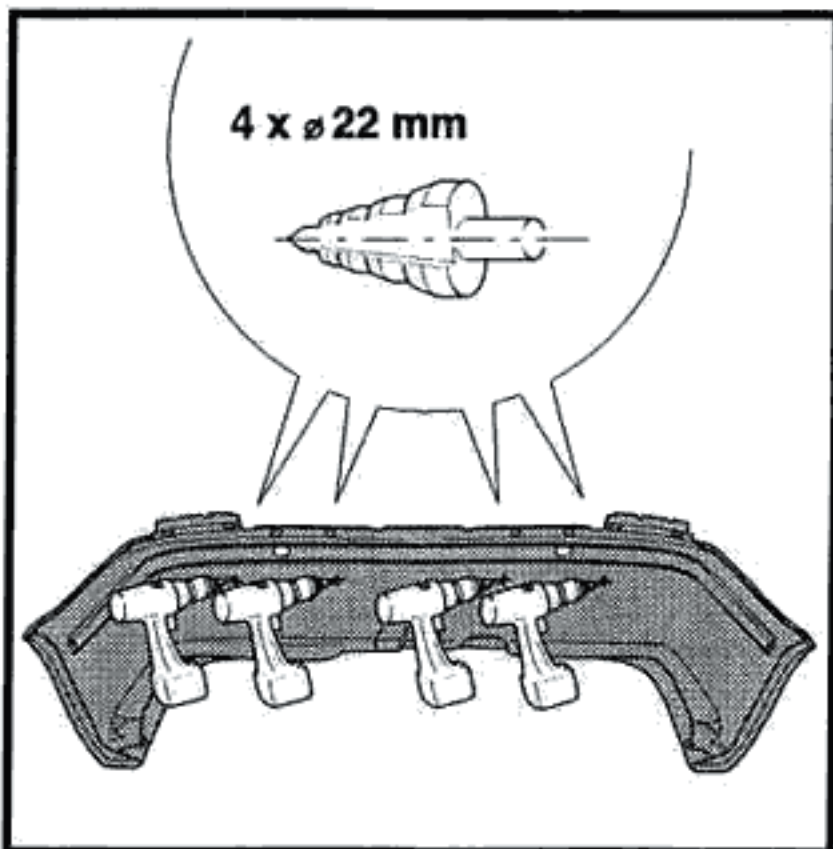
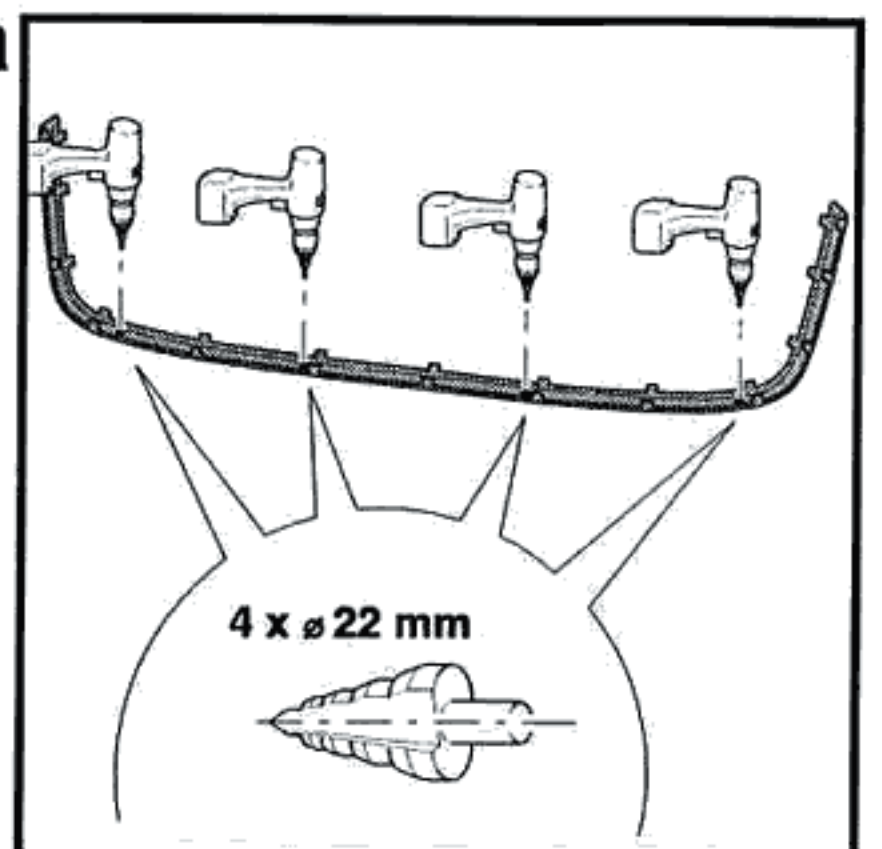
POMOCNÉ PARKOVACÍ ZAŘÍZENÍ

EINPARKHILFE

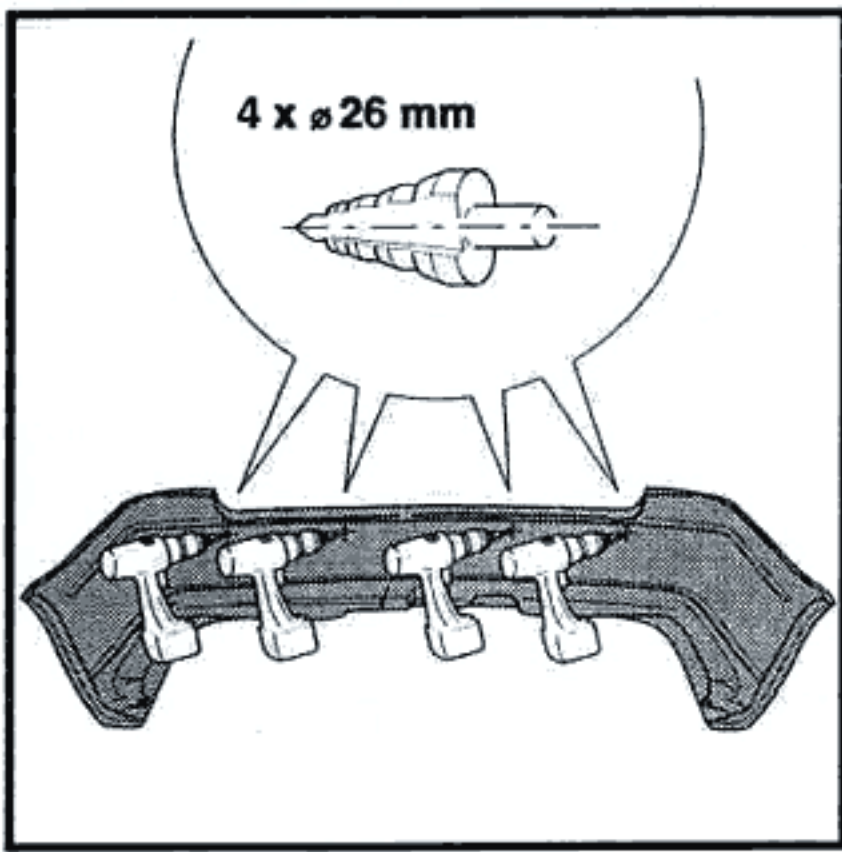
PARK DISTANCE CONTROL



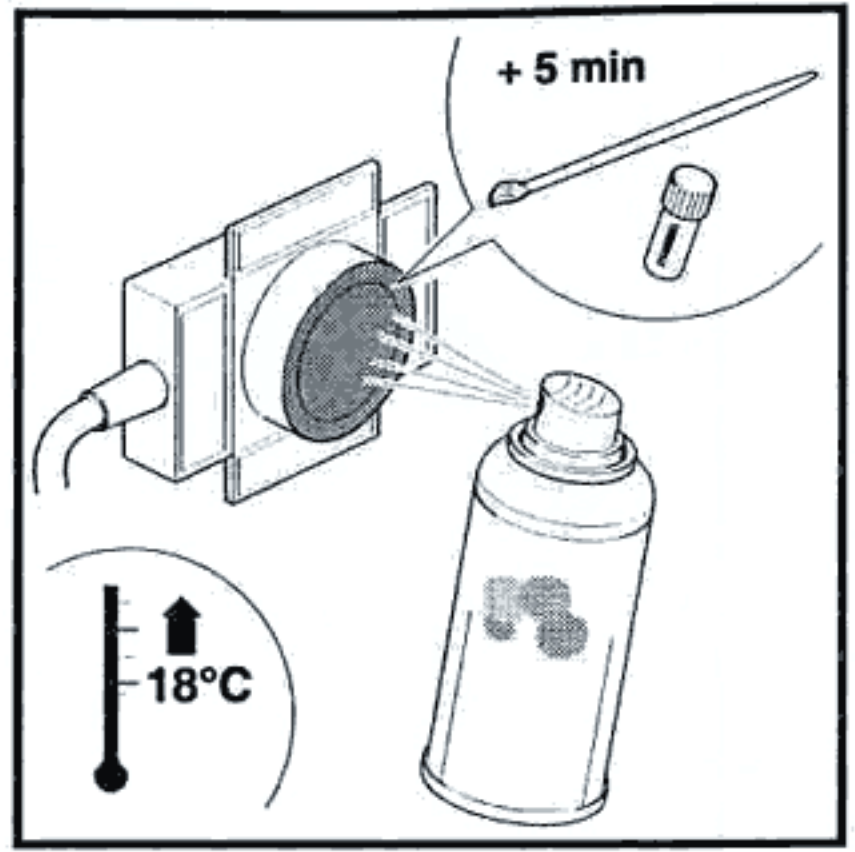


5**5a****5b****6****6a**

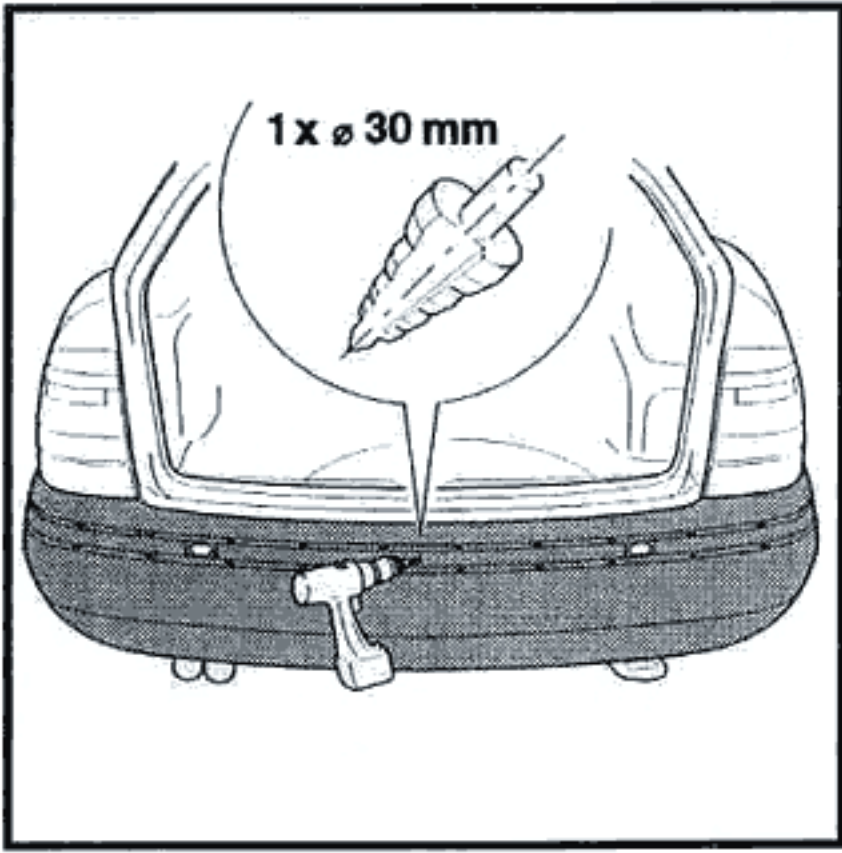
6b



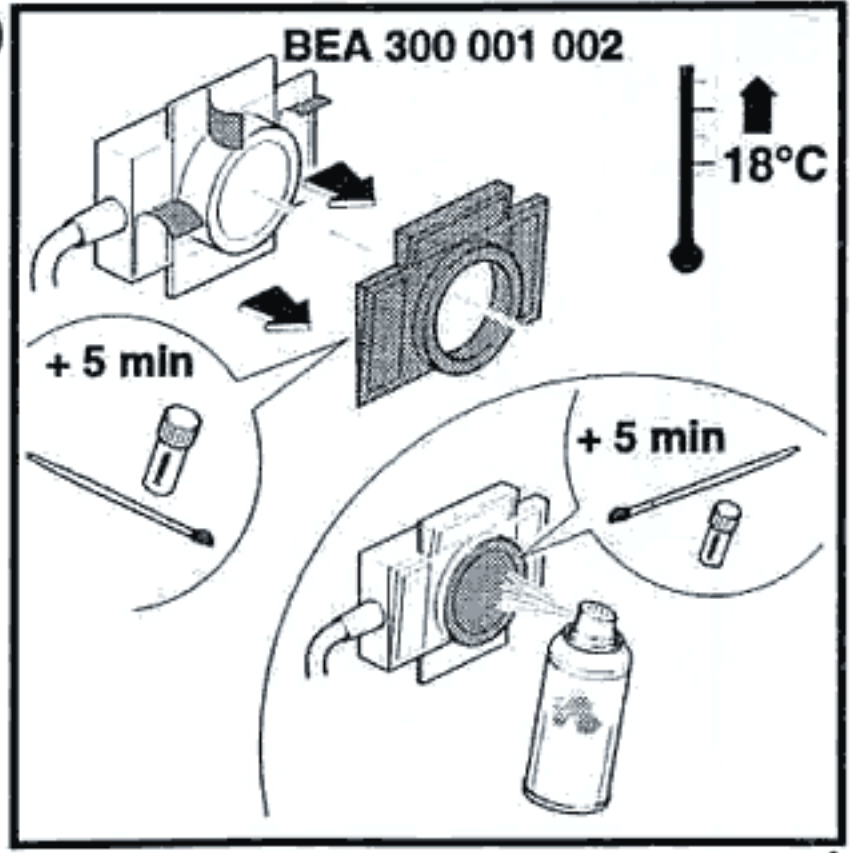
7



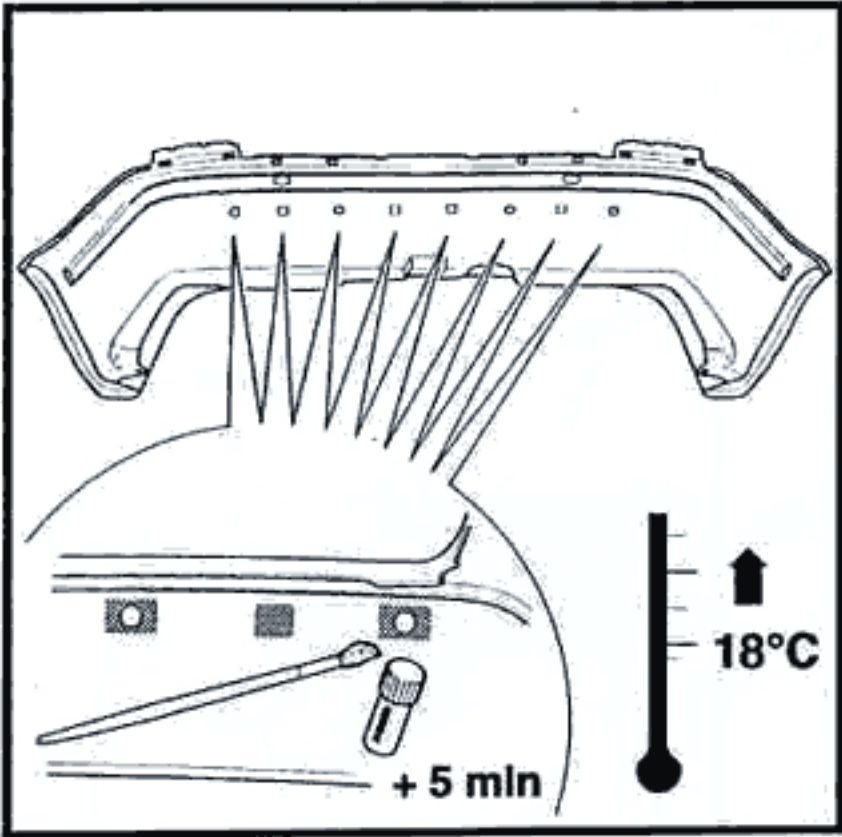
7a



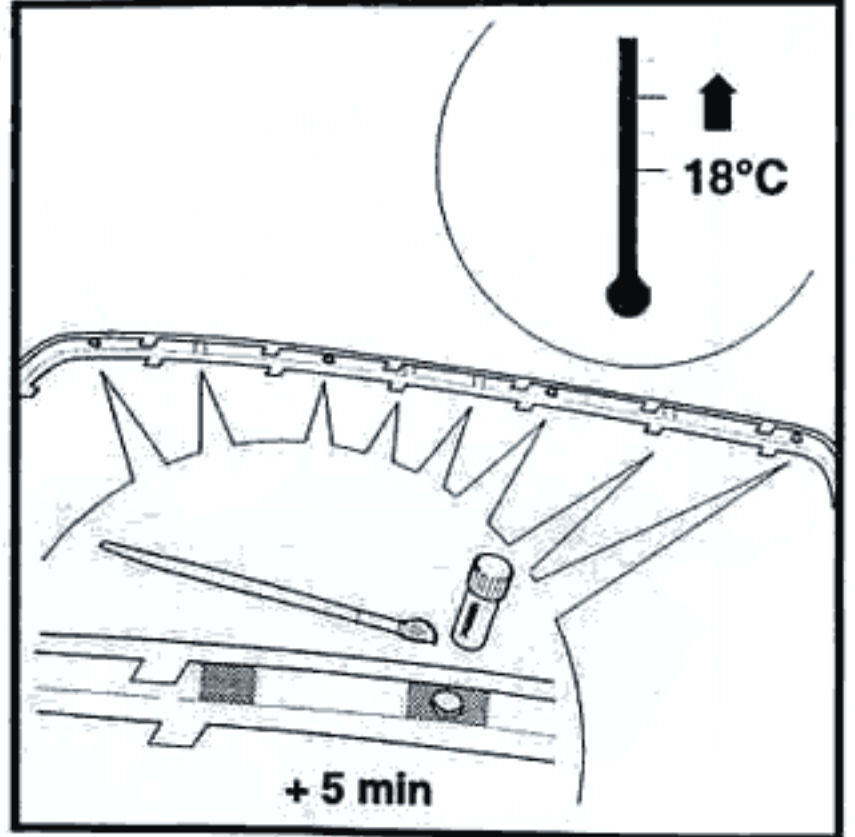
7b

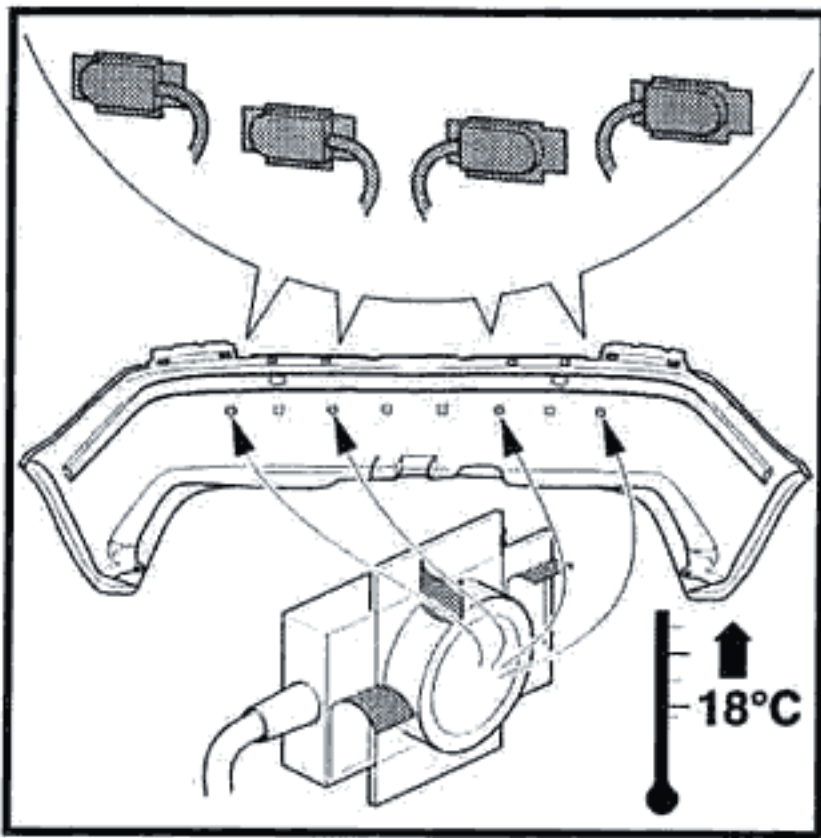
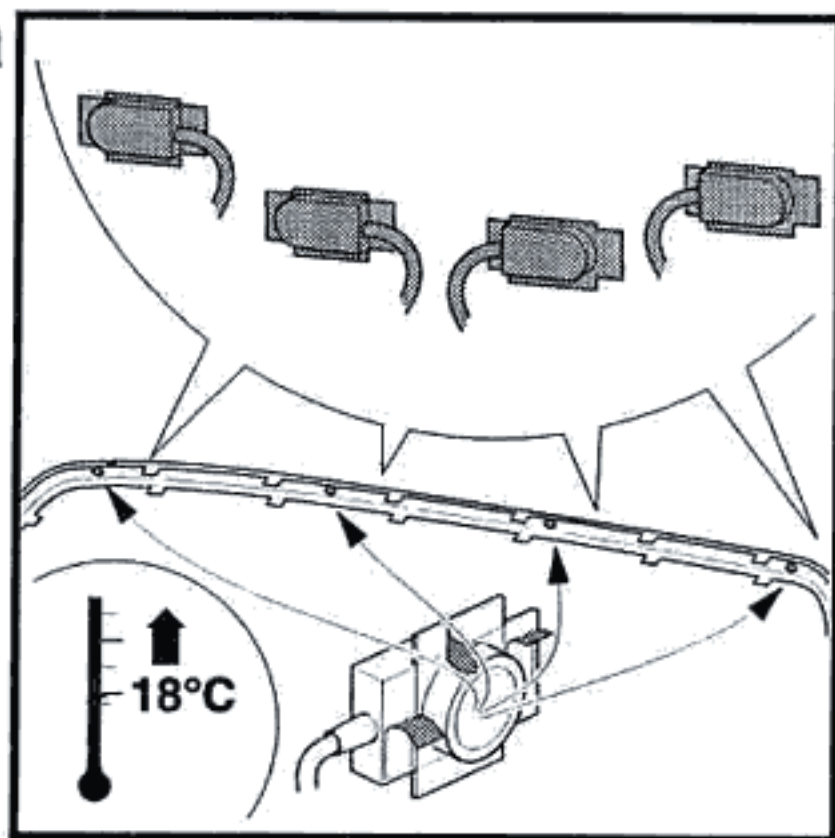
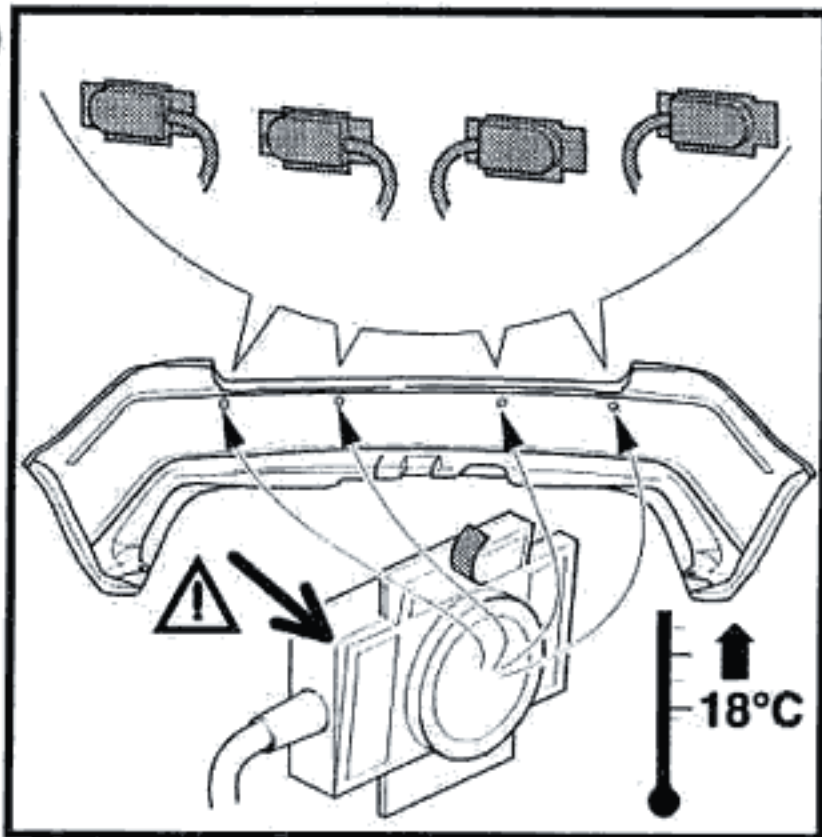
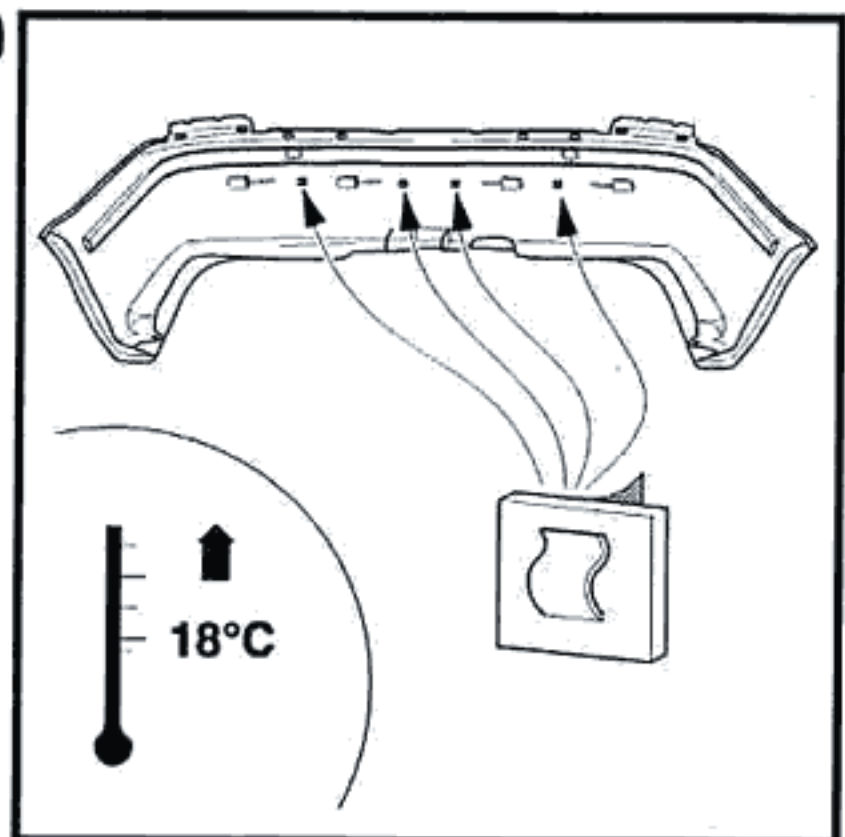
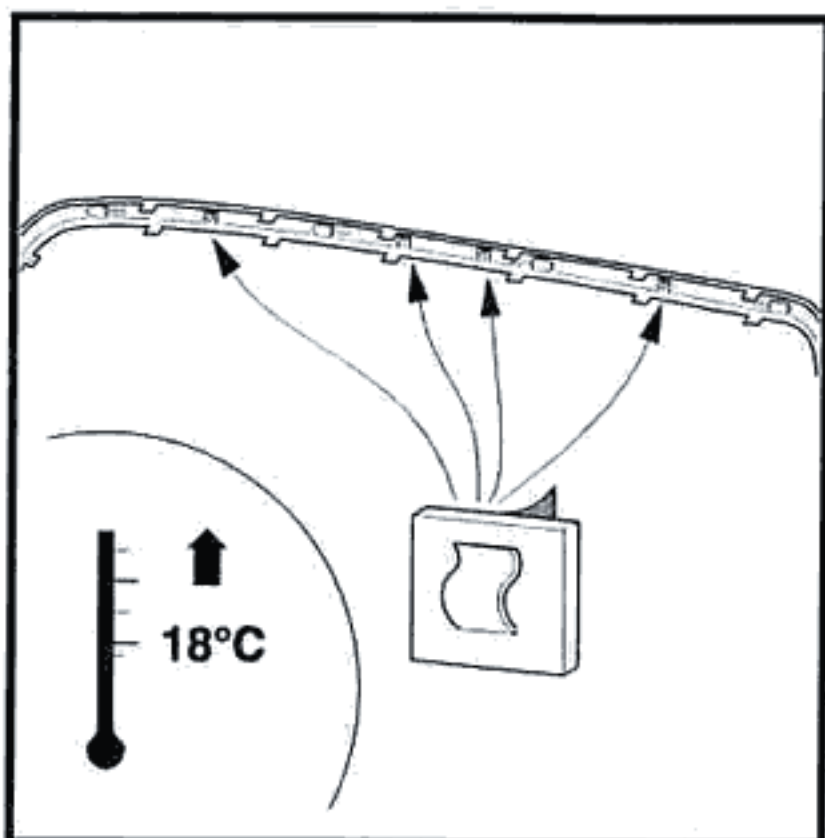
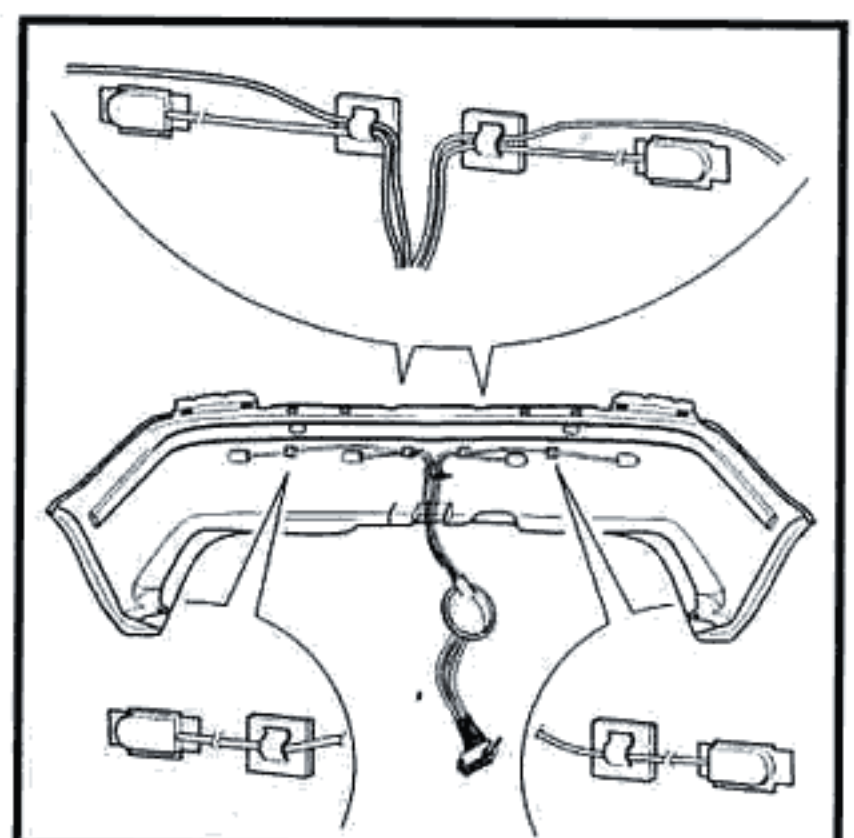


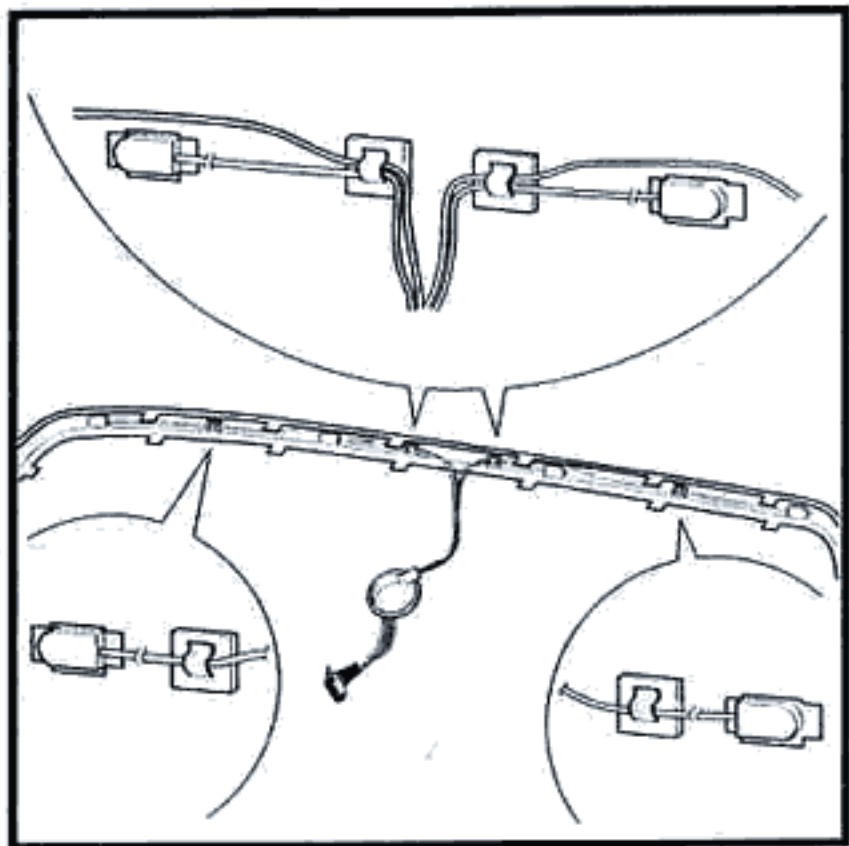
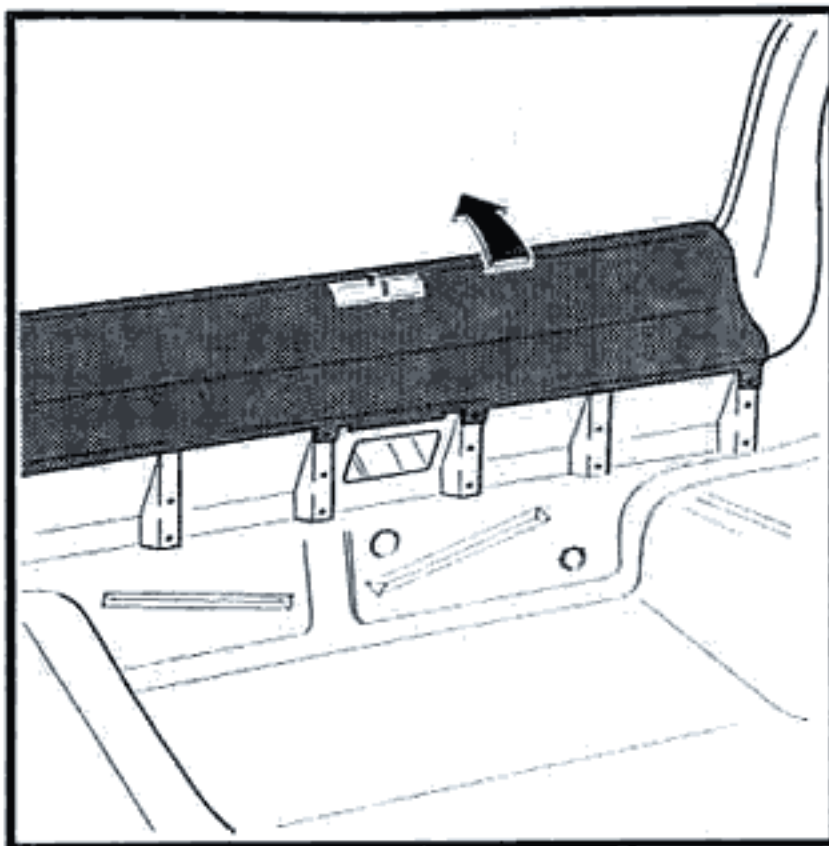
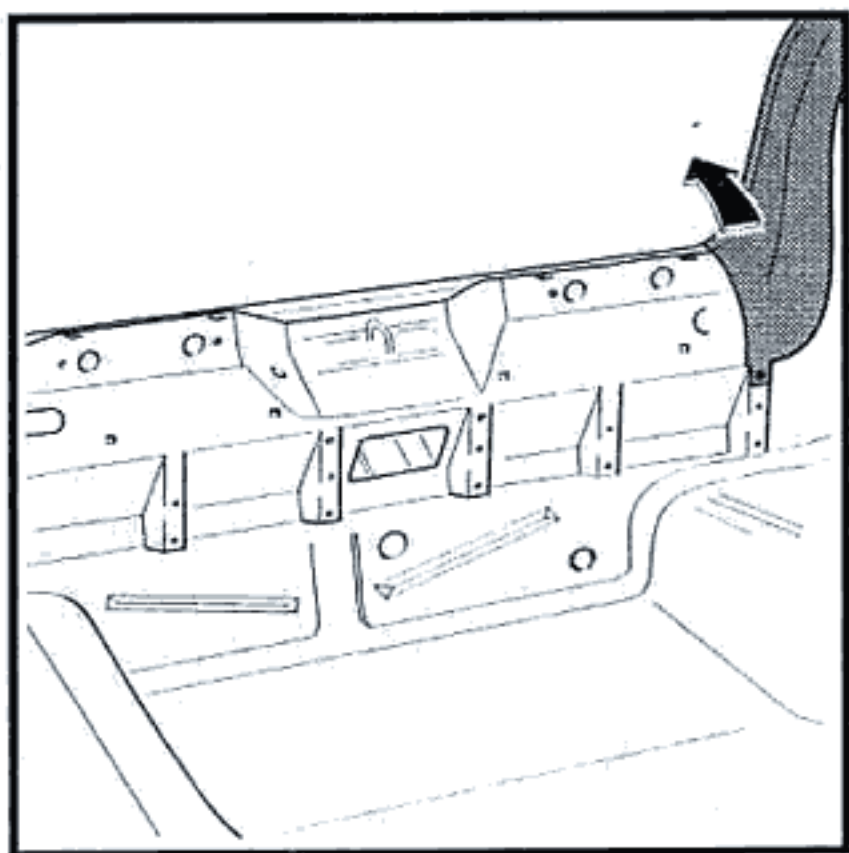
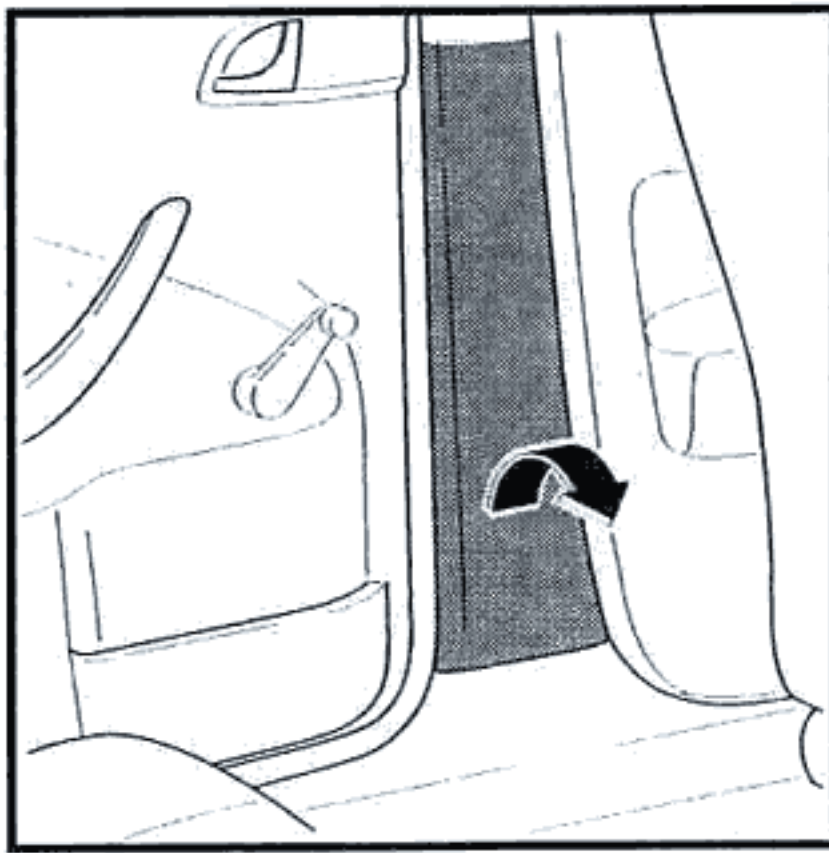
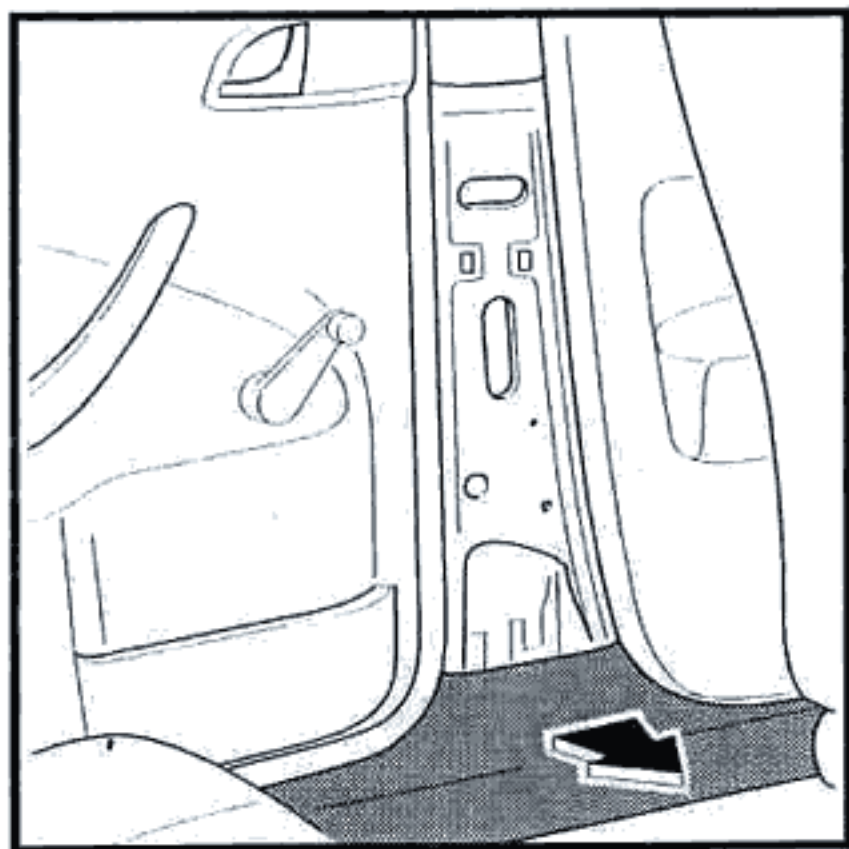
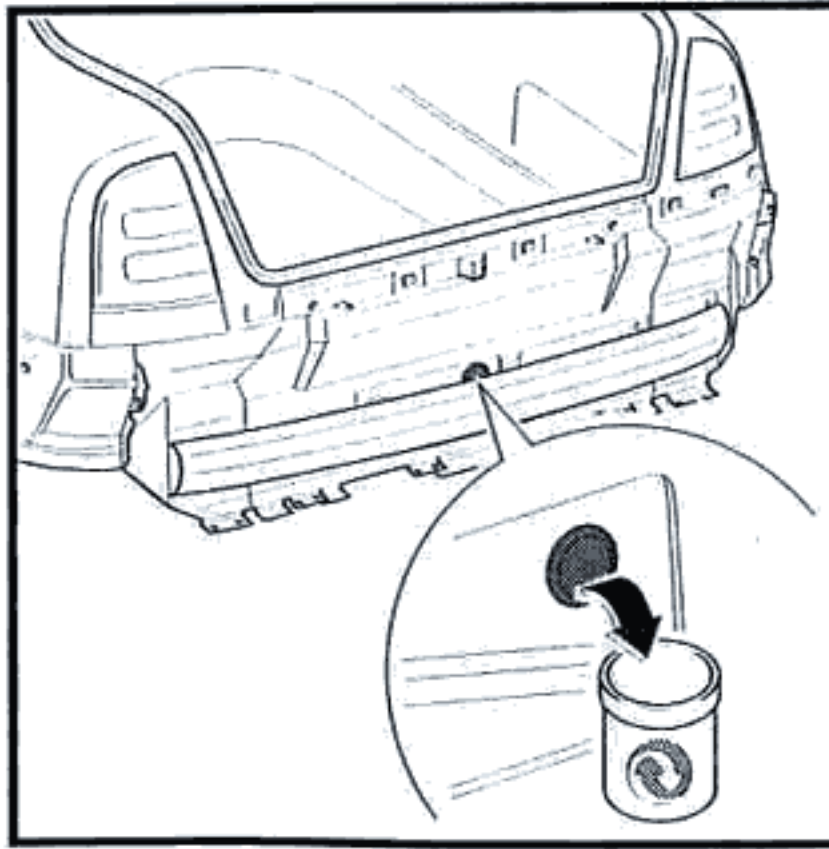
8

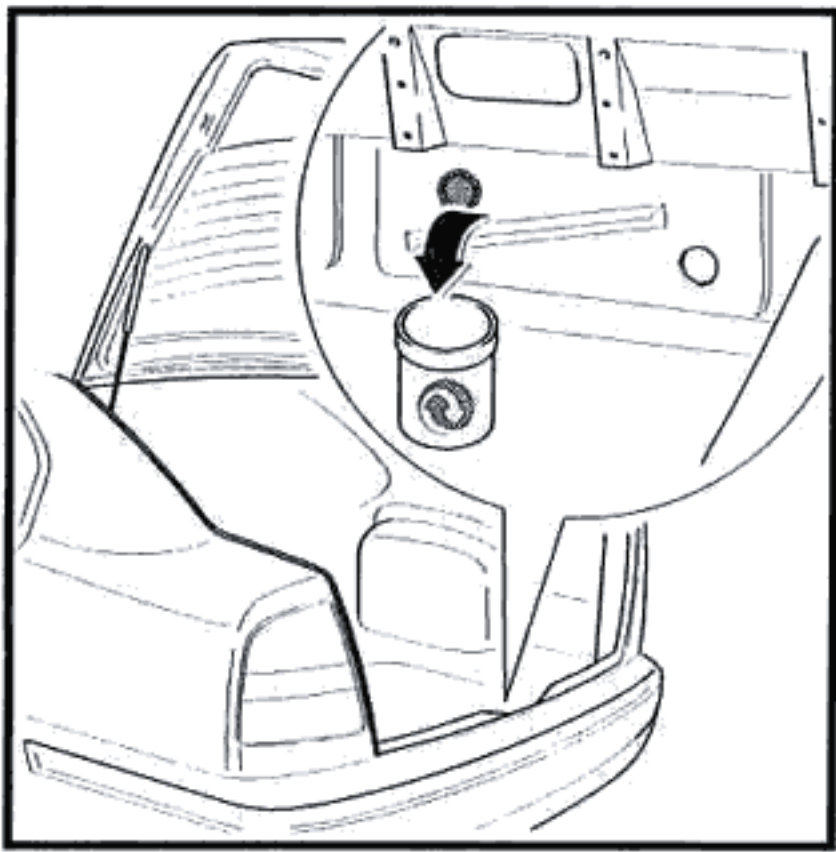
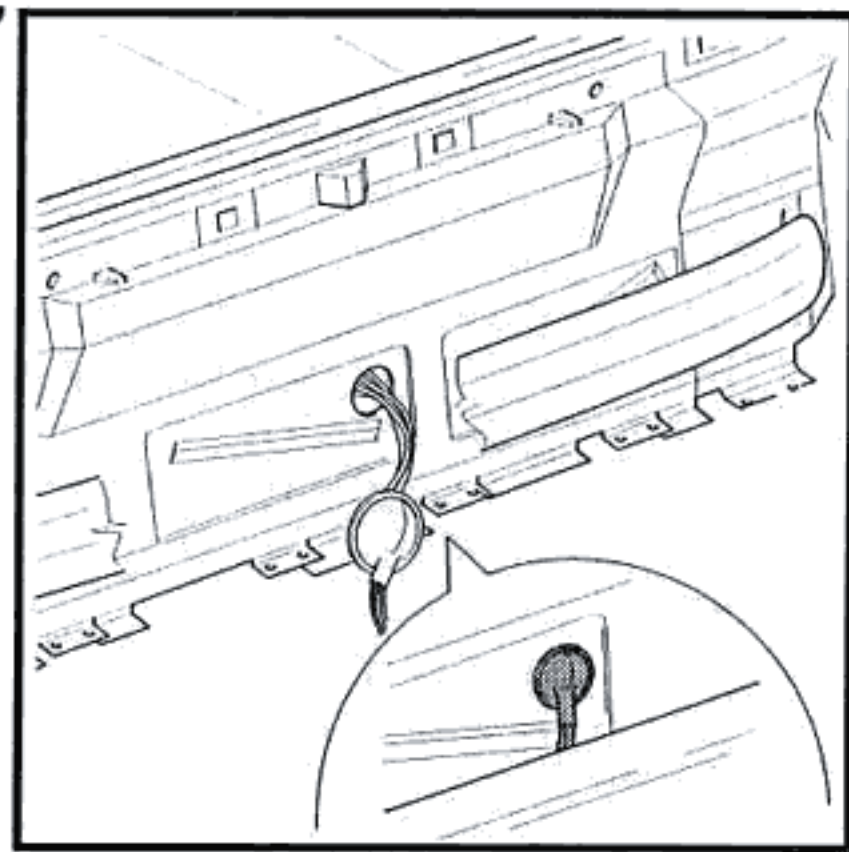
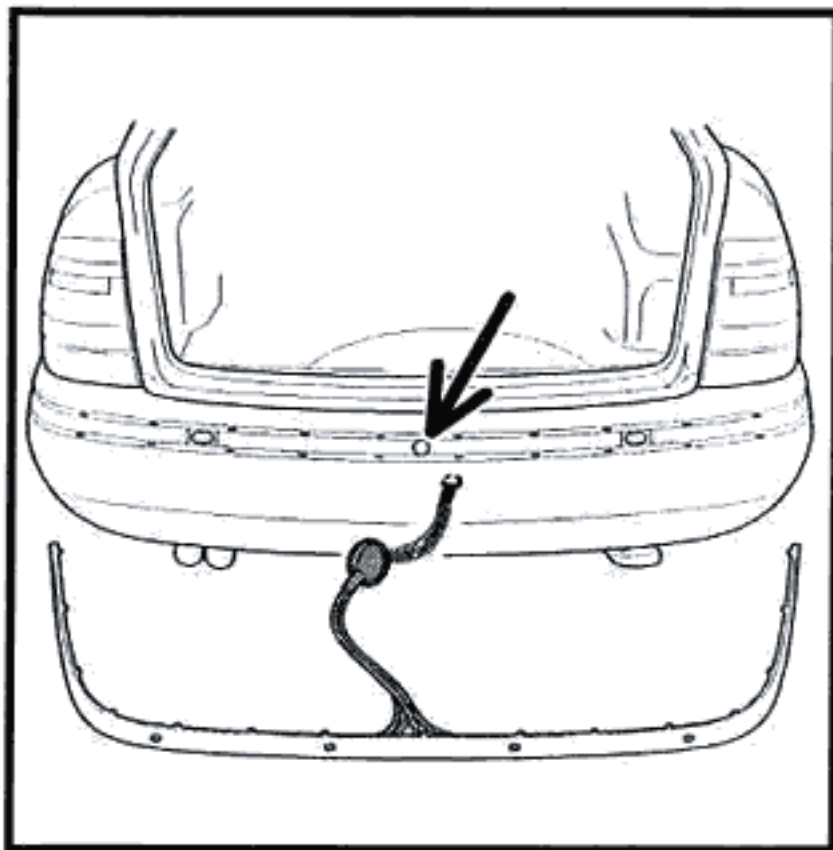
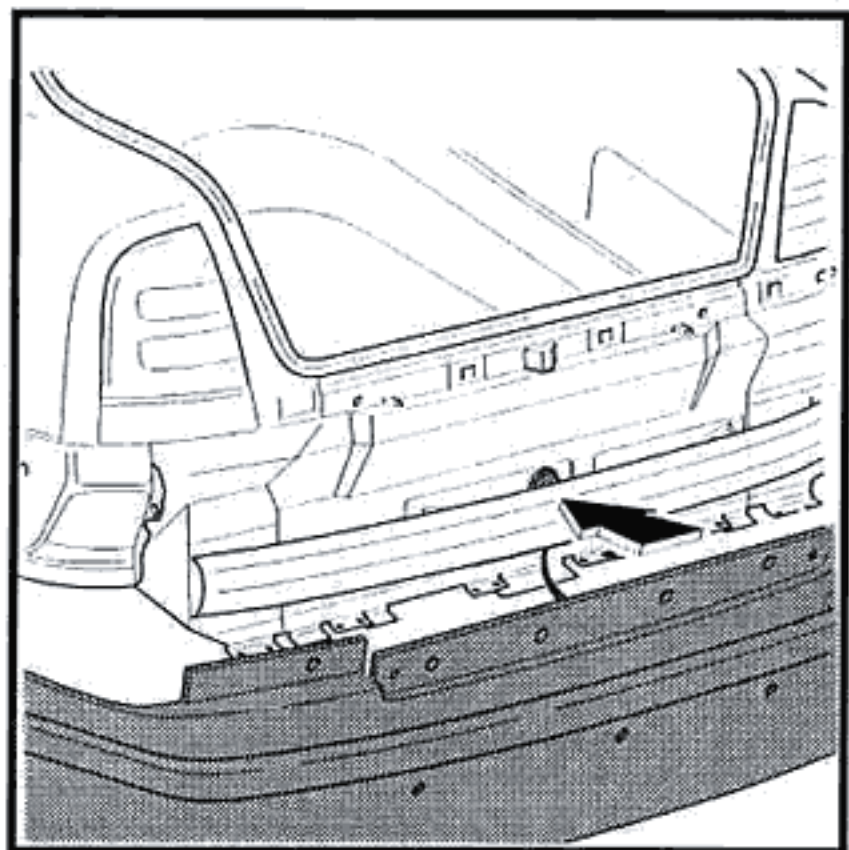
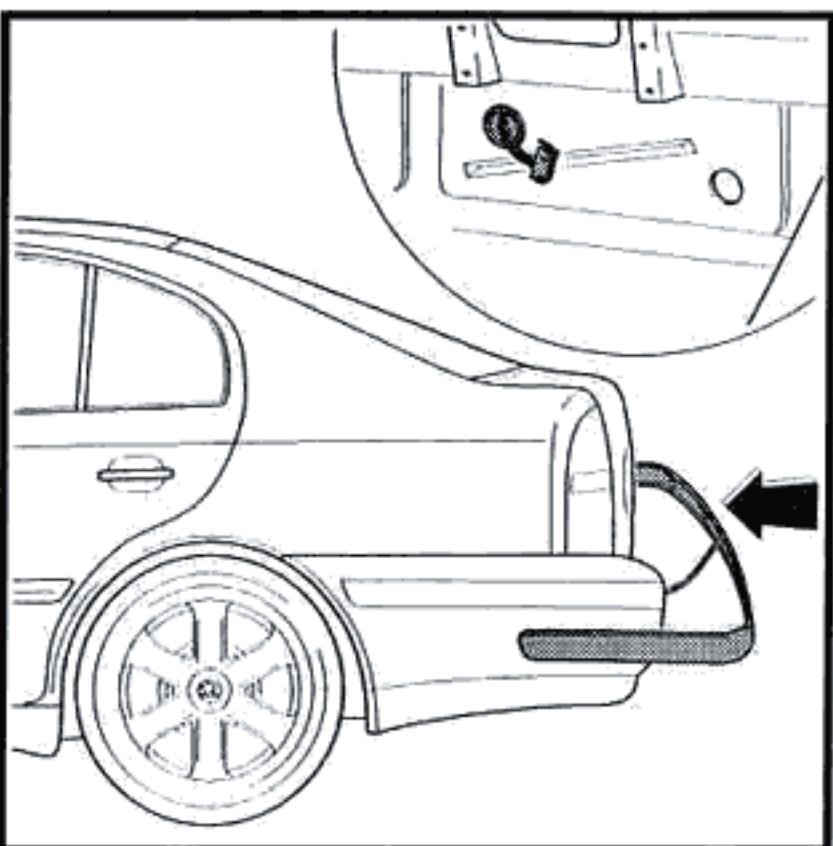
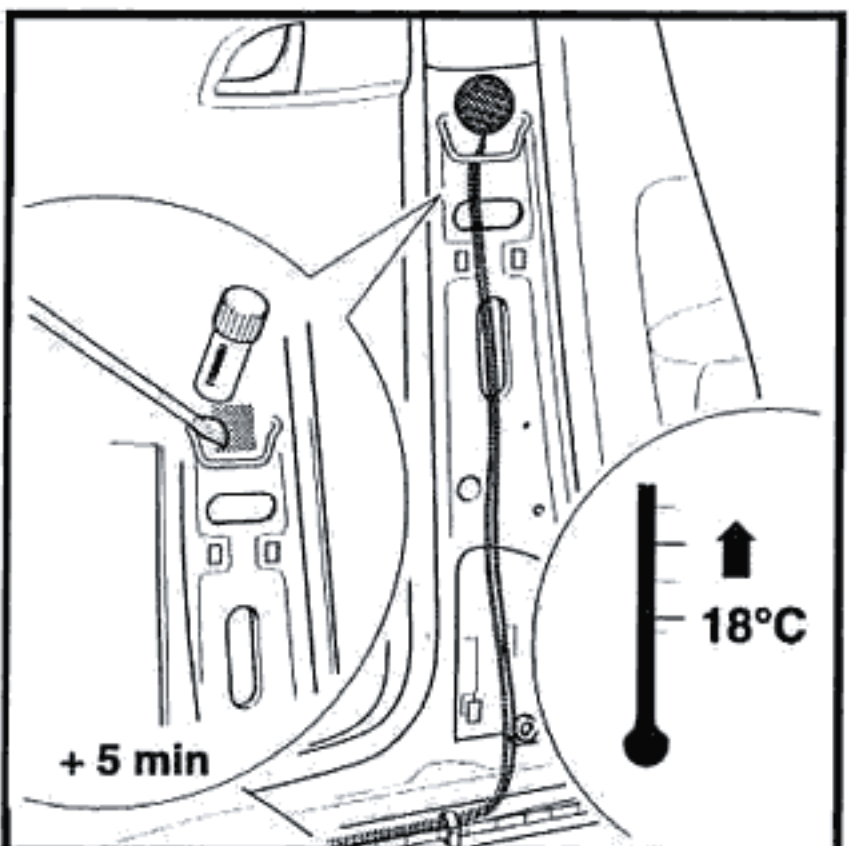


8a

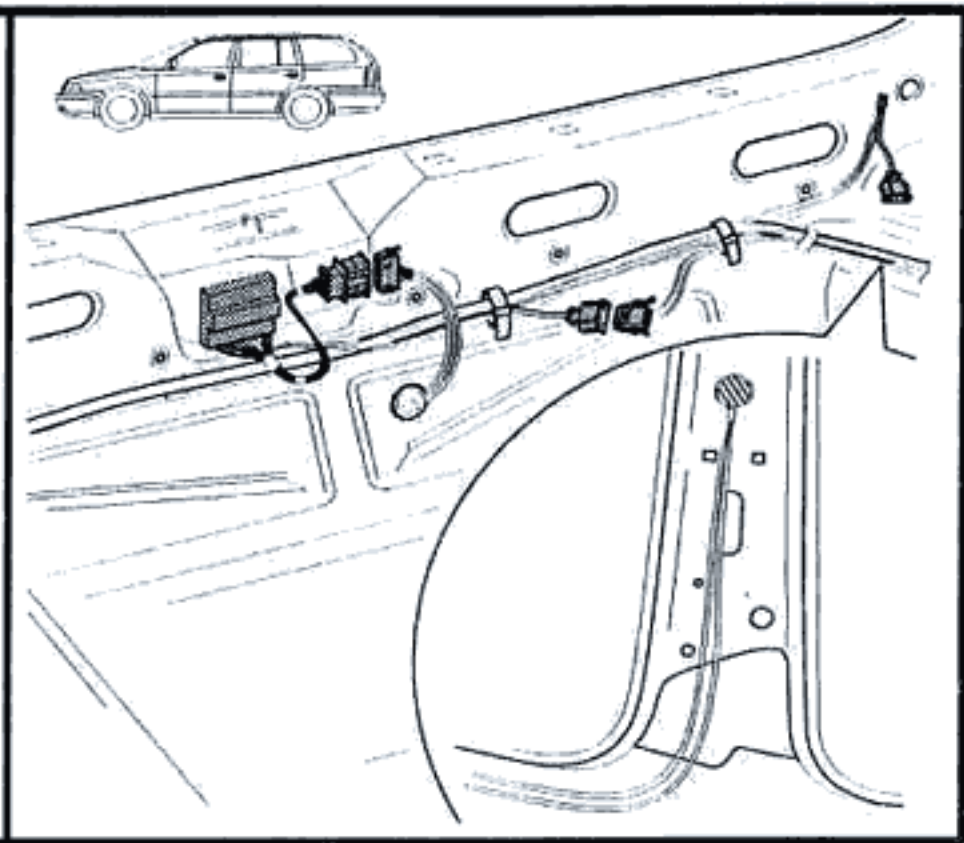
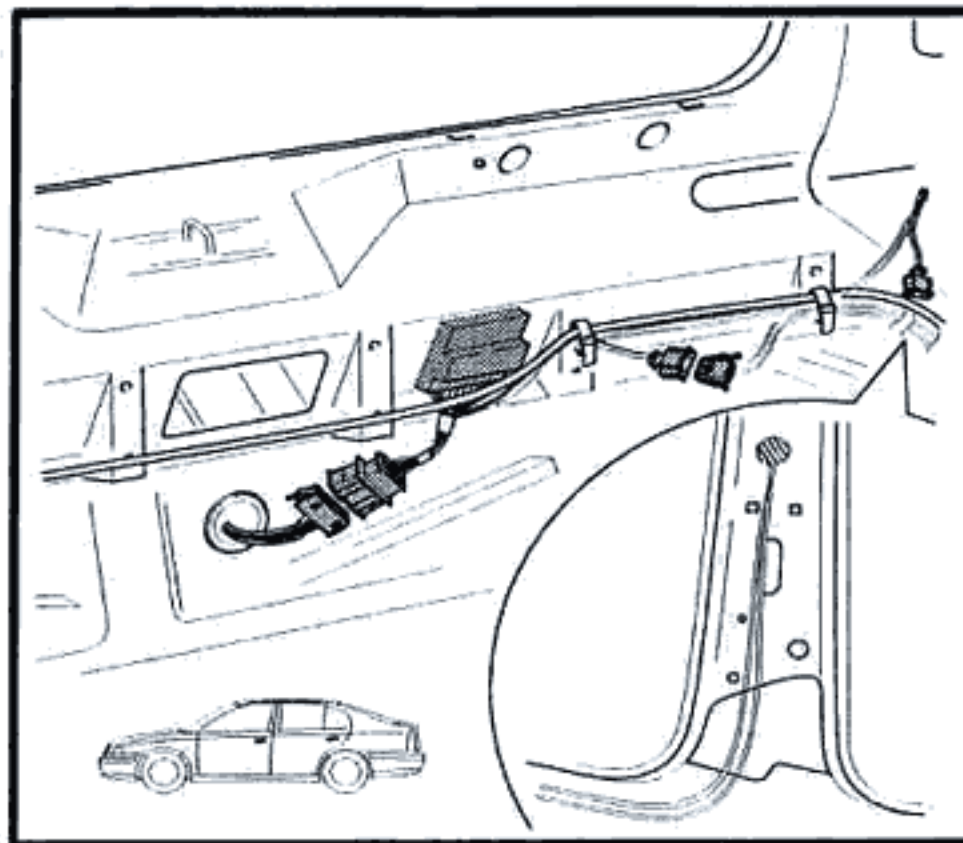


9**9a****9b****10****10a****11**

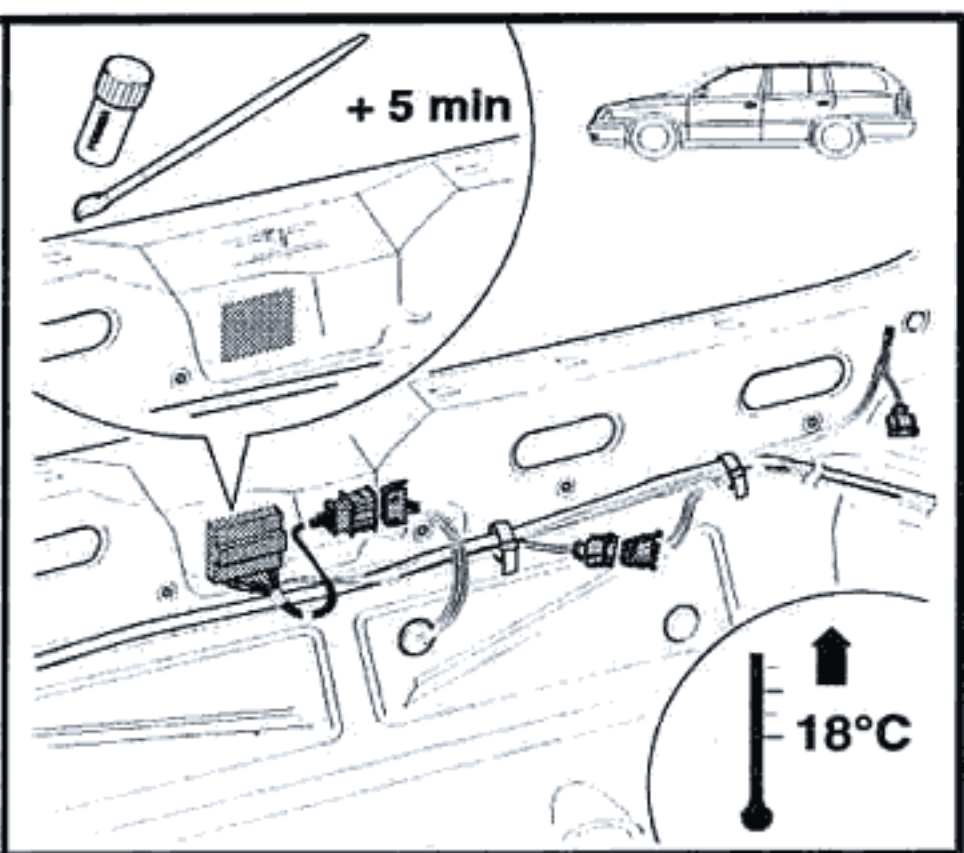
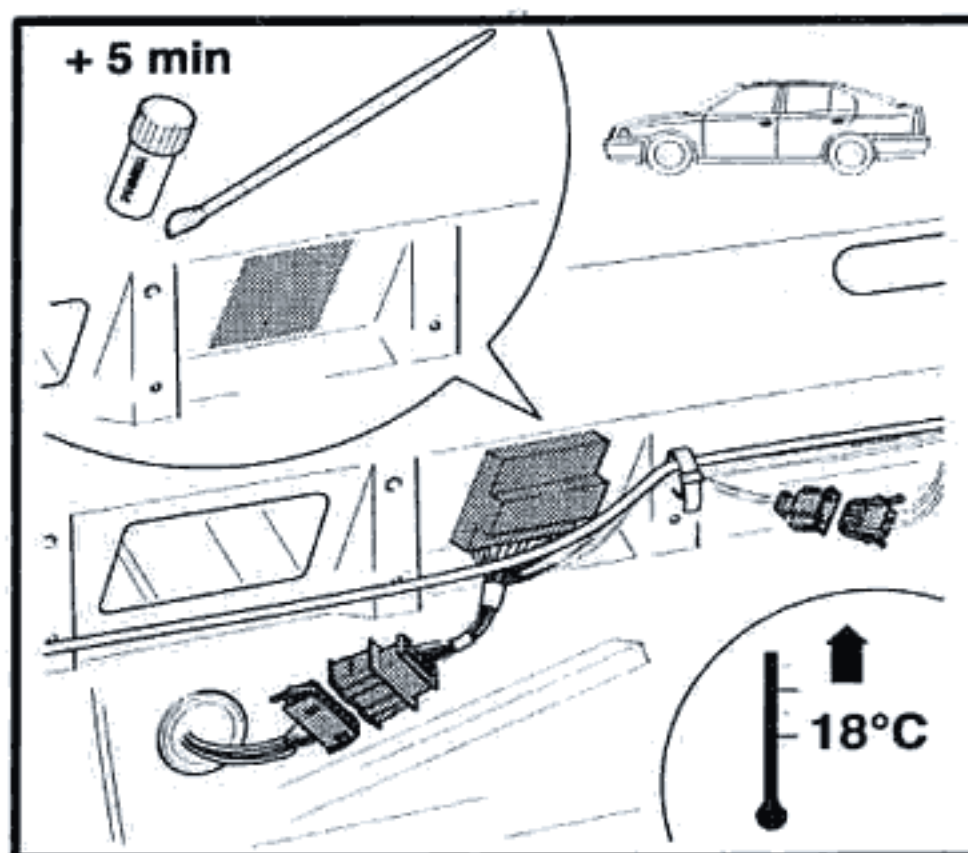
11a**12****13****14****15****16**

16a**17****17a****18****18a****19**

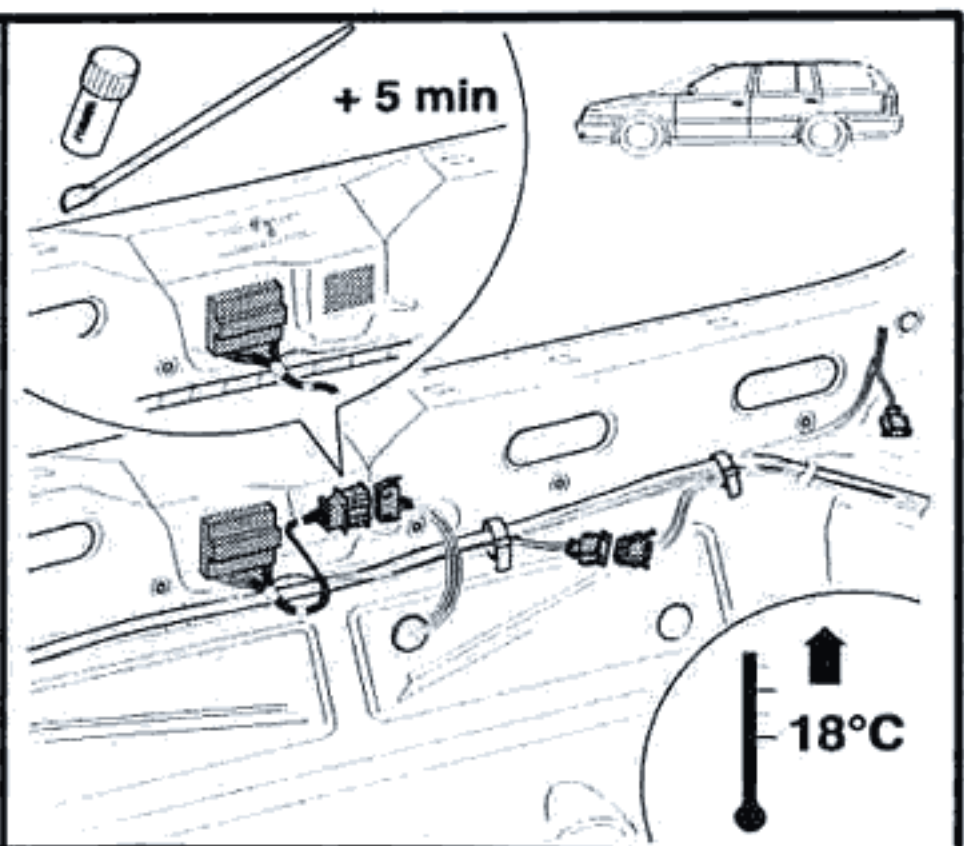
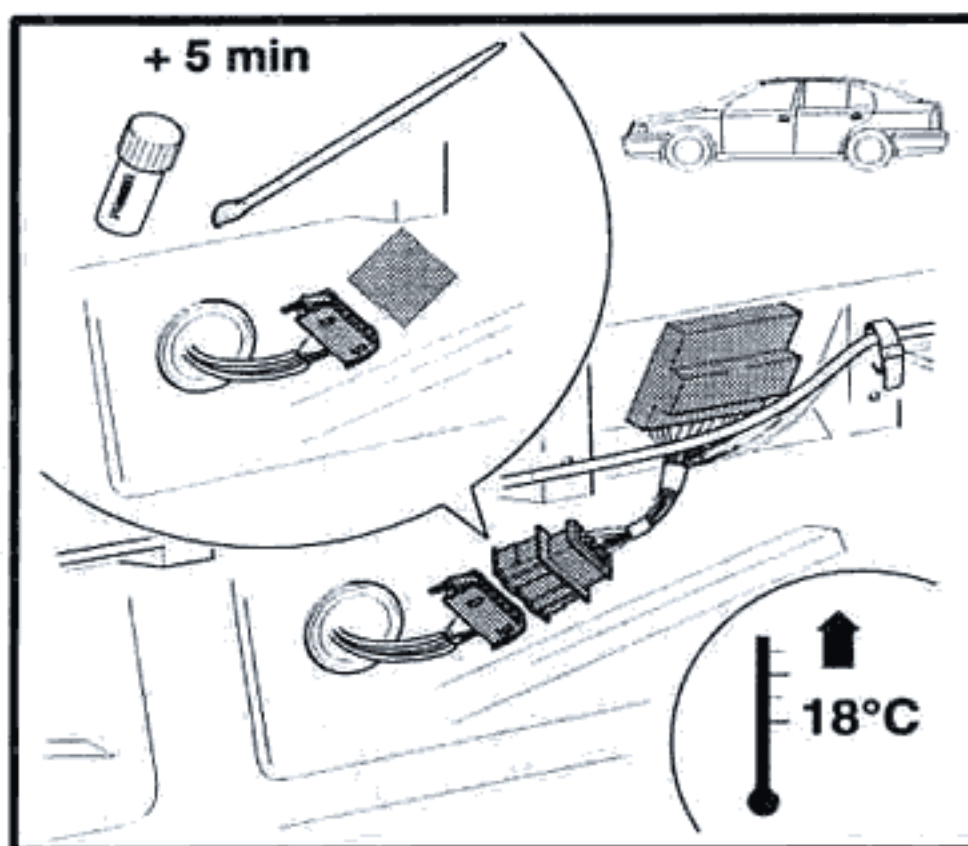
20



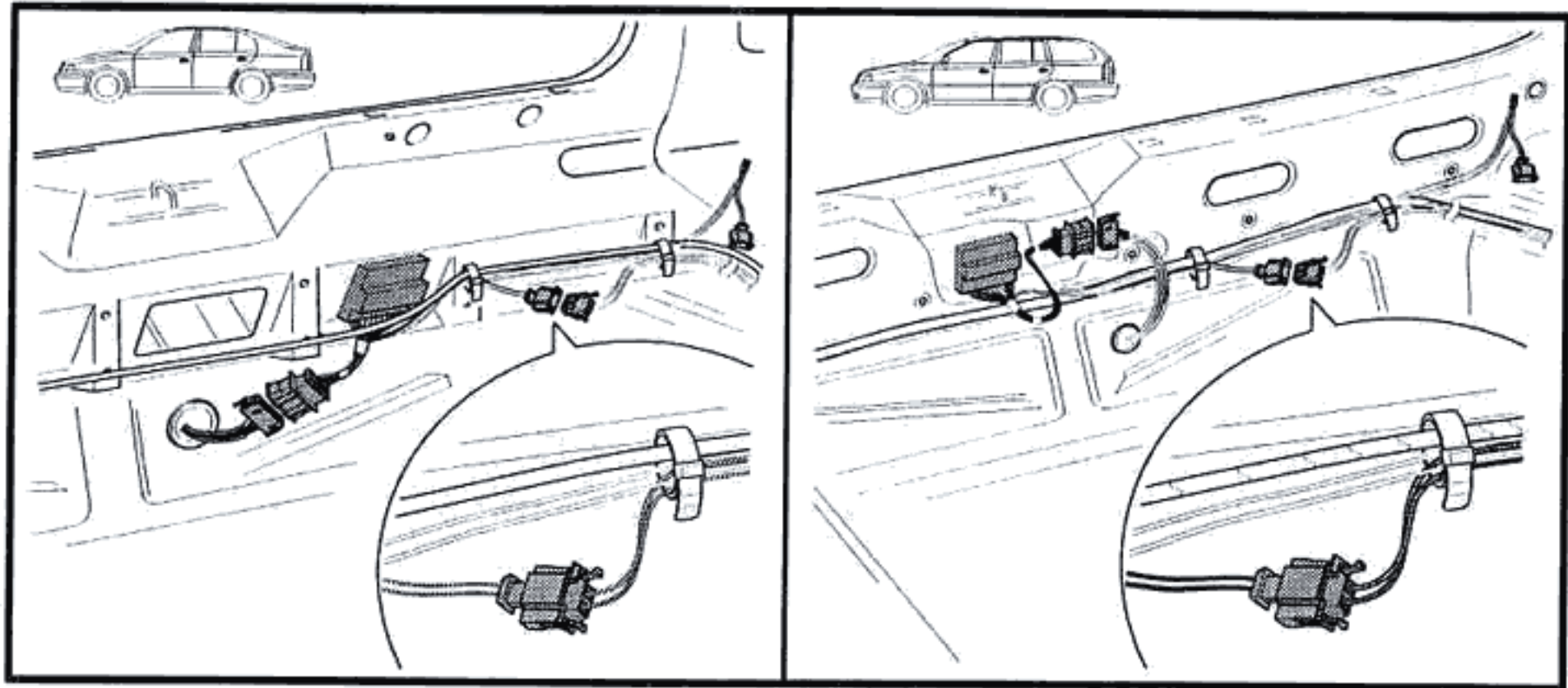
21



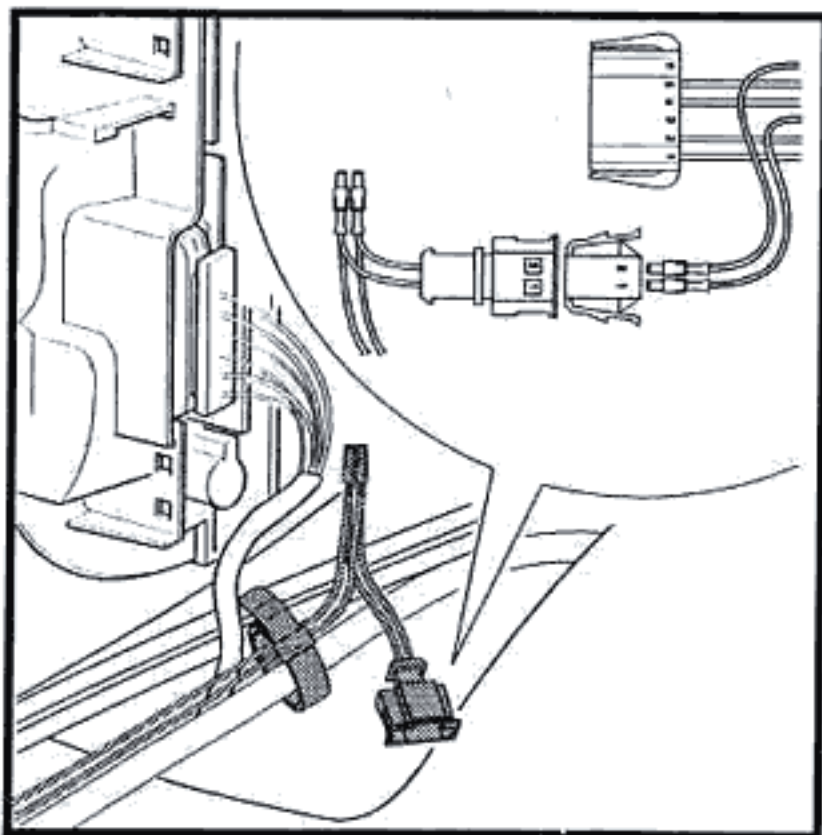
22



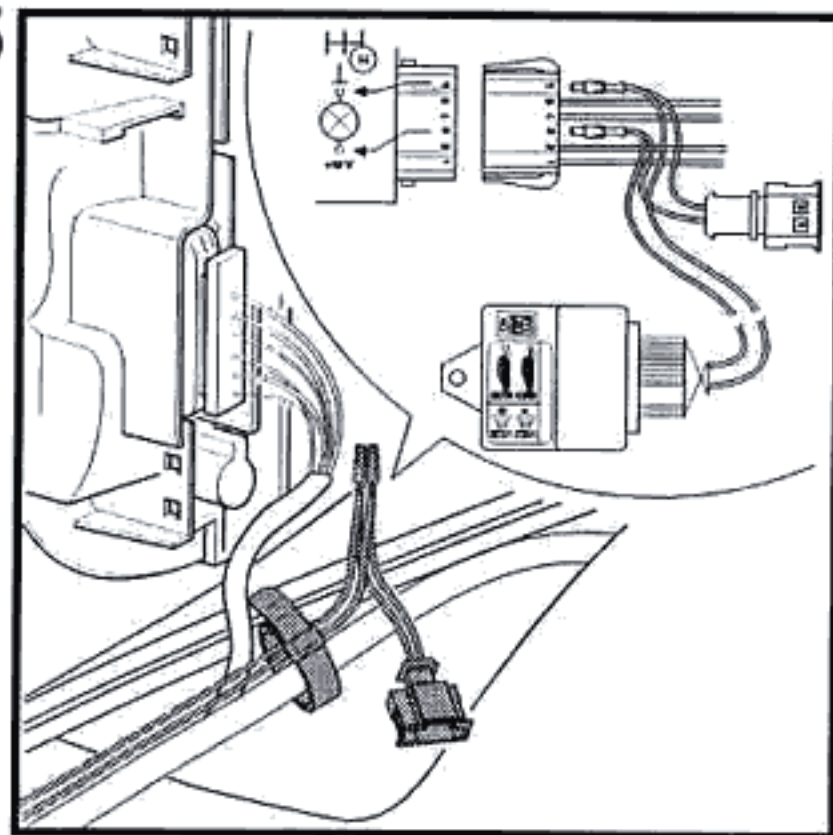
23



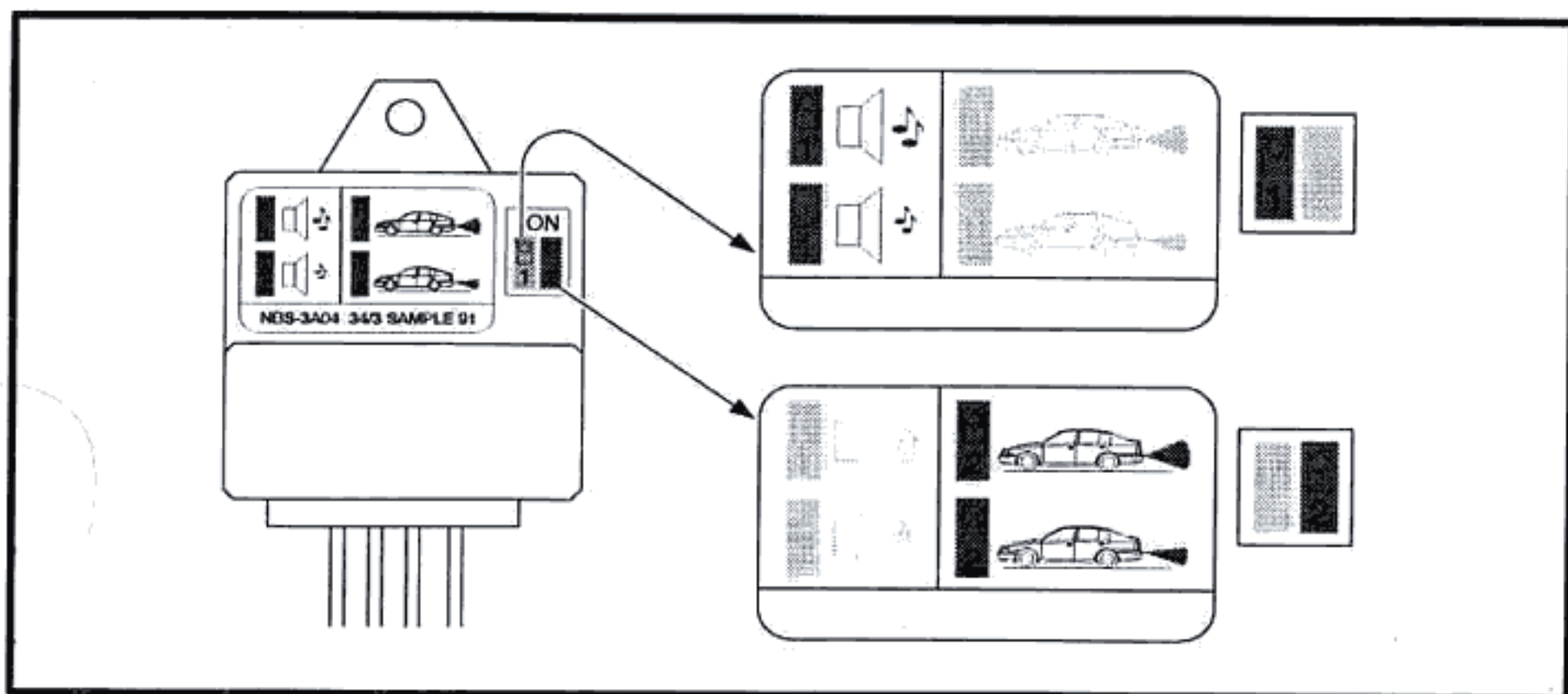
24



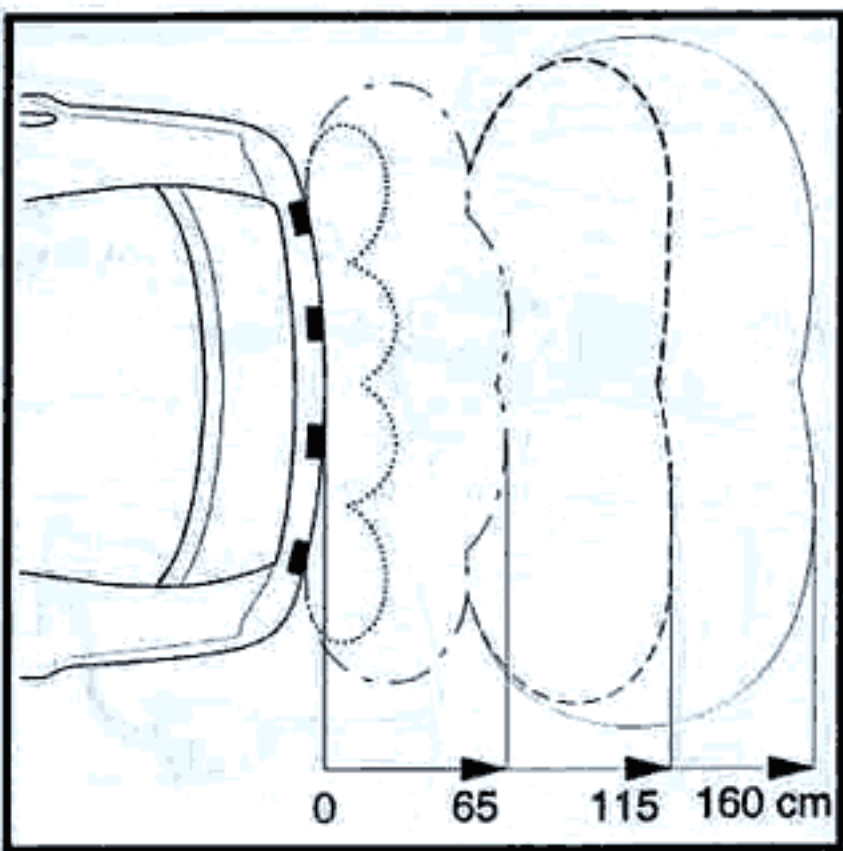
25



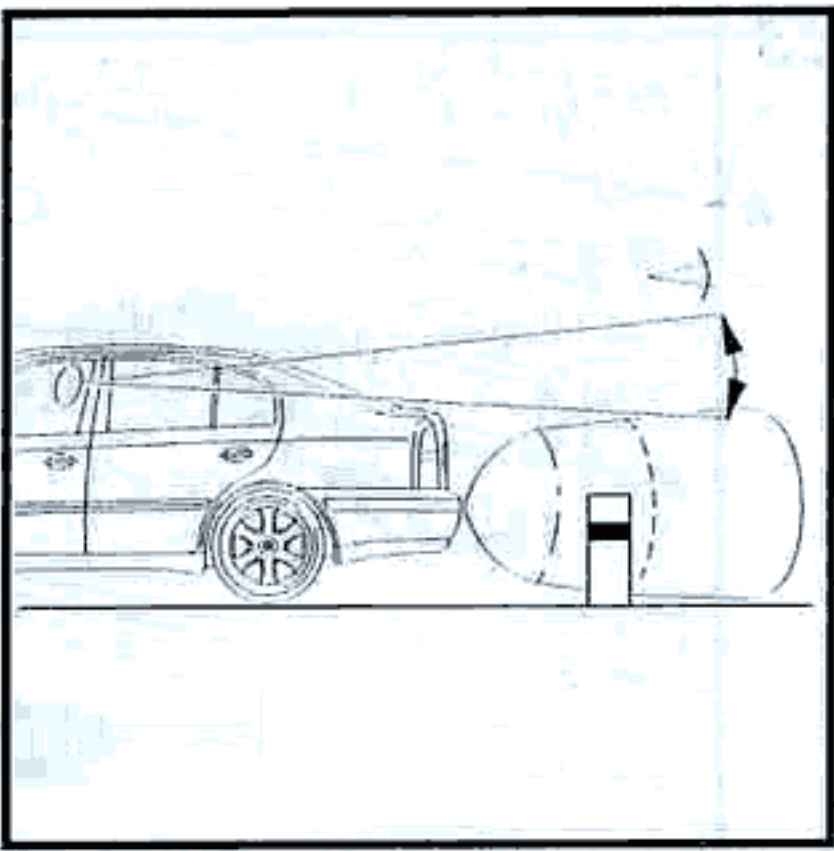
26



27



28



PARK DISTANCE CONTROL

Park distance control assists in parking when reversing. Four sensors in the rear bumper monitor the distance between the vehicle and any possible barrier. The driver is informed of the size of the available space by means of an acoustic signal from the car speaker.

GB

The assembly of the park distance control may only be carried out by an authorised Skoda Auto service outlet. Carry out the assembly according to the procedure contained in the pictures. During the disassembly and assembly of the mass produced components, proceed according to the Workshop Manual.

Important

- explanations for the pictures:

- without an index – applies to all Skoda Octavia FACE-LIFT and Octavia Combi FACE-LIFT models.

The pictures without an index only apply to the Skoda Octavia and Octavia Combi models, if a picture with the same number is not listed with the appropriate index.

- "a" – only applies to Skoda Octavia vehicles.

- "b" – only applies to the Skoda Octavia Combi vehicles.

After completing the assembly, reassemble all the disassembled components according to the Workshop Manual. Test that the sensors are functional.

Note:

If a special warning tone is heard after the initial tune, this may involve one of the following cases:

- ice build up on the sensors or a different systems failure.

- a connected trailer.

- a barrier situated up to 30 cm behind the vehicle. In such a case, the system's activities restart when the barrier is more than 30 cm from the vehicle.